

Quality Installations Take Time

Before You Begin

These installation instructions will lead you through the process of installing your new Merillat Cabinets.

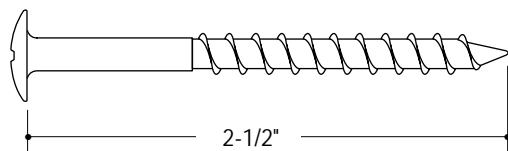
- Section One:** Covers the preparation of the room to accept your new cabinets. This is very important to the success of your installation. Follow these steps carefully.
- Section Two:** These are general installation instructions for base cabinets.
- Section Three:** These are general instructions for installing wall cabinets.
- Section Four:** This section will provide you with specific instruction steps needed to install special cabinets; such as Tall Cabinets, Island and Peninsula applications, etc.
- Section Five:** Care and maintenance of your new cabinets.

The installation of Merillat Cabinets requires a commitment of time and special attention to safety. Before you begin you should:

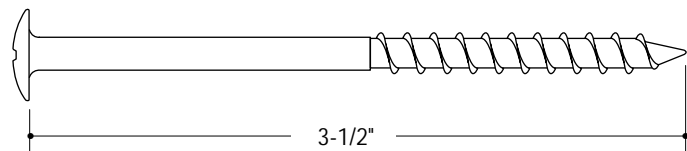
- CHECK YOUR ORDER.** Make sure the contents of the carton match the product numbers on your order and kitchen plan. Contact your dealer if there are any damaged, missing or incorrect cabinets.
- PAY ATTENTION TO SAFETY.** Because of the size and weight of Merillat Cabinets, installation is recommended with no fewer than two people. Wear safety glasses to protect your eyes. Always maintain a clean, organized work area.
- MAKE SURE YOU HAVE THE RIGHT TOOLS AND MATERIALS.** Merillat supplies the appropriate fasteners upon request through your Customer Service Representative for wood frame construction. If you're attaching the cabinets to another material, consult your dealer for the proper fastening method. These instructions apply only to 16" on center wood stud construction.
- REVIEW ENTIRE INSTALLATION GUIDE.** This allows the opportunity to contact your dealer to answer any questions before you begin.

Screw Required

Cabinet screws for attachment to wall studs and face frame-to-face frame attachment. Screws are available by ordering (no charge) through your Customer Service Representative.



Face Frame Attachment Screw
and Wall Attachment Screw
(available - 100/box)
p/n - 805208



Wall Double-Face Cabinet Mounting Screw
screw packs provided in cabinets

Tools Required



- Safety glasses
- Tape measure
- 4' carpenter's level
- Hammer
- Masking tape
- Chalk line
- Bee's wax or paraffin (apply to screws to ease installation)
- Extension cord
- Step ladder
- Carpenter's square
- Several pieces of straight lumber; 1 x 2's, 1 x 3's or 2 x 4's six to eight feet long.
- Circuit tester
- Compass (for scribing fillers)
- Jigsaw (for drain and waterline cutout, trimming fillers, countertop sink cutout and panel backers)
- Belt sander (for fine tuning fillers)
- Mitre saw (for cutting molding)
- 8' straight edge or 2 x 4 (Pull a string end-to-end on 2 x 4 to be sure it's straight)
- Drill (for drilling pilot holes)
- Drill driver or screwdriver with #2 & #3 phillips bits
- Drill bits: 1/8" and 7/32" (additional bits may be required depending on accessories installed)
- Stud finder – optional
- Drill depth gauge or tape to mark drill bits
- Shims (shim set available at a lumber yard)
- Utility knife (scoring wood shims) – optional
- Rubber padded furniture clamps (minimum of two) or wood clamps

Section One

Getting Started

New Construction — Utilities

Be certain gas, water and electric are roughed in and turned off before proceeding.

Remodeling — Utilities

Shut off appliances and services.

Warning: If you are unfamiliar or unsure of how to handle utility connections, have a qualified professional perform these duties. This description is intended solely as a sequence of activities, not as an instruction for utility disconnection.

Sink and Garbage Disposal

Shut off water supply to the sink. Open the sink faucets to drain the water lines and to be certain you have shut off the water supply. Disconnect the water and waste lines. Unplug garbage disposal. Remove sink if you plan to reuse it or need to reduce the weight of the counter top.

Refrigerator

Pull refrigerator away from wall. If it has an icemaker, be careful not to kink the tubing. Shut off the water supply to the icemaker. Disconnect the water line and unplug the electrical. Move refrigerator to a location that is out of the way and near a plug that is not affected by the reconstruction and is adequate for the circuit load. Plug it back in.

Electric Stoves and Ovens

These appliances should have their own breaker or fuse. Make certain to shut it off. Check by trying to turn on the appliance. Unplug and remove the appliance.

Gas Stoves and Ovens

Warning: Natural gas and propane are highly explosive! Before attempting to disconnect any gas-fired appliance be certain that the gas service to the appliance is shut off. Merillat recommends that this be done by a qualified contractor or your local gas company. Once this has been done, disconnect and remove the appliances.

Dishwasher

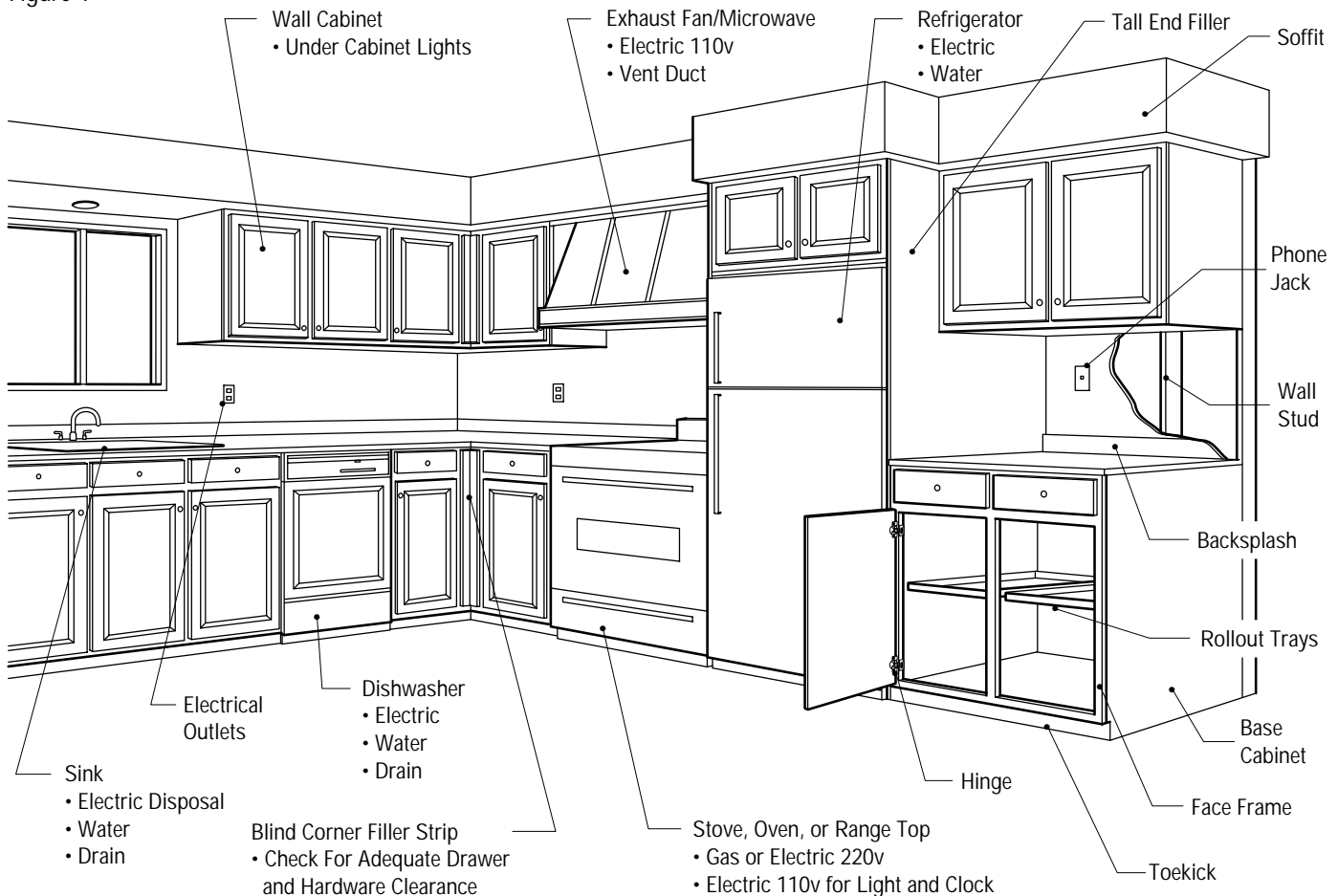
Shut off the valve that supplies water to the dishwasher. Disconnect the waste line and water line. Shut off the power supply at the fuse or breaker box. Remove the dishwasher.

Shut off Electrical Power to the Kitchen

Shut off power to the kitchen, including under-cabinet lights and outlets at the fuse or breaker box that might be moved or accessed while remodeling. Use a circuit tester to make sure the power is off.

Check both receptacles in a duplex outlet because they could each be on a different circuit.

Figure 1



Removing Old Cabinets

If you are not replacing your floor covering, tape heavy cardboard or old carpeting over the floor to protect it. This will also provide a good surface to slide cabinets and appliances without damaging the floor.

- Remove the contents of the existing cabinets. Organize in small boxes so you can find the contents when you need them.
- Remove upper wall cabinets.
- Remove counter top.
- Remove base cabinets.
- Remove any moldings or trim that may interfere with new cabinets.
- If replacing floor, remove old flooring.

Relocate Utilities

If you are relocating the sink or appliances, you will need to move the plumbing, gas or electric services. This should be done by a qualified contractor or electrician. Refer to Figure 1 for items you might want to consider before you start.

Patch and Repair Walls and Floor

Figure 1

Do any reconstruction and finishing before you start installing your cabinets because these activities are more easily done before cabinets are in place.

Wall Preparation

All home walls and floors shift and settle over time. Even new construction does not guarantee that your walls and floors are plumb, level or square. Your cabinets must be shimmed and adjusted to account for this unevenness.

Locate the Highest Point on the Floor

Figure 2

Measure out $21\frac{7}{32}$ " from the wall where base cabinets will be and snap a line on the floor parallel to the wall. This is the Toekick Line; it is where the Base Cabinet Toekick will be.

To find the highest point on the floor, place one end of a straight 2 x 4 at the end of the cabinet run. Place a carpenter's level on top and check the bubble. Raise either end of the 2 x 4 until it is level. Mark the floor at the end that makes contact with the floor. This is a high point.

Check all around the room where base cabinets will be installed. Then check from high point to high point to determine the highest point.

Mark Wall for Base Cabinet Level Line

Figure 3

When you are certain you have the highest point on the floor, place your straight edge on this point and the other end against the wall.

- Level the straight edge and mark the wall at the bottom of the straight edge. Do this in all directions where cabinets will be located.
- Measure up $34\frac{1}{2}$ " from the level marks and the high point. Use a level to strike a level line on the wall. This is the Base Cabinet Level Line (without the counter top). Do this on all walls that will receive base cabinets.

Figure 2

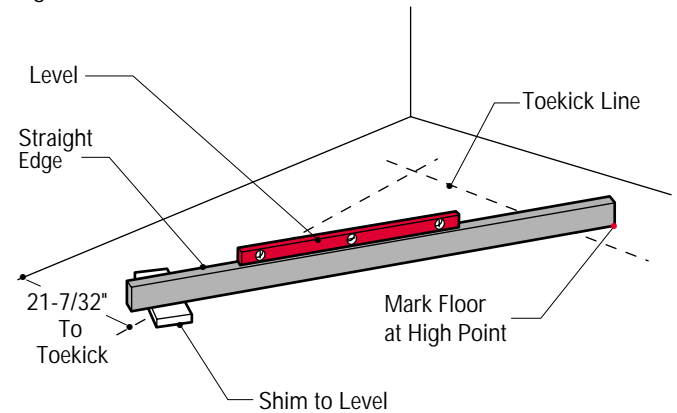
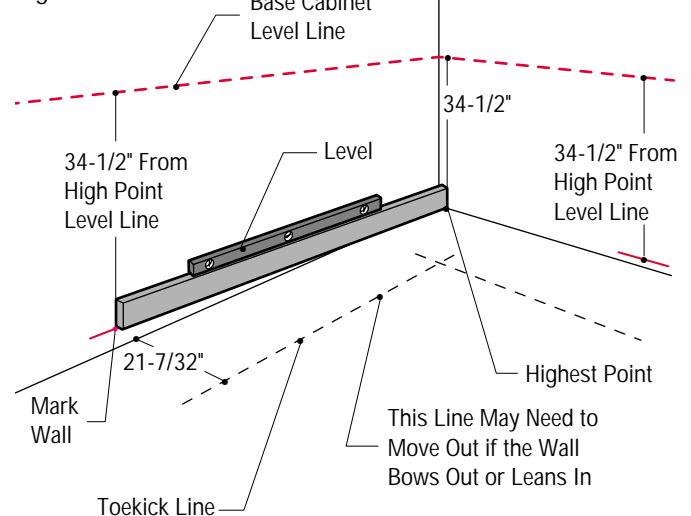


Figure 3



Check for Uneven Walls

Figure 4

Place a straight length of 2 x 4 against the wall to find any high or low spots in the area where cabinets will be located.

Scrape or sand high spots. Mark low spots that will need shimming when you install cabinets. The more you smooth out the walls, the less you will need to shim.

If walls have high spots that you cannot remove, you will need to have your Toekick Line measured out $21\frac{7}{32}$ " from the wall high spot.

Place the 2 x 4 vertically on the wall with the 4' level and check for plumb. This will tell you if you need shims at the top or bottom of cabinets.

Check corners for "square". Place a framing square into the corner where cabinets are to be installed. If framing square will not fit into corner, you are "in" square. You will need to come out from the corner and run a straight line to the wall at the end of your row of cabinets.

If your framing square fits into the corner and one wall angles away from the square, you are out of square. To correct this, you will start tight in the corner and shim your cabinets to keep them in a straight line. If your cabinets are forming an "L"-shape, plan on spacing out the shortest length of the "L".

Mark these square lines on the floor. You will need to revise your $21\frac{7}{32}$ " Toekick Line to be parallel with your square line.

Map Wall Outline on Floor and Walls

Figure 5

Referencing your cabinet plan, draw a Wall Outline representing all cabinets.

- Measure $19\frac{1}{2}$ " up from the Base Cabinet Level Line and snap a level line on the wall. This is the Bottom of Wall Cabinet Level Line.
- Measure 30", 36", or 42" up from the Bottom of Wall Cabinet Level Line (depending on height of your cabinets). Snap a level line on the wall. (See Soffits and Low Ceiling Conditions if required.) This is the Top of Wall Cabinet Level Line.
- If the installation involves a corner, layout the corner cabinet first. If there is no corner, start at an obstructed end that begins at a wall or appliance.

Mark the width of the first base cabinet on the floor and wall in this location. Use a level to draw a plumb line vertically between the floor and the Base Cabinet Level Line.

- Repeat this process for all base cabinets and then for all wall cabinets. You should now have a Wall Outline for all cabinets to be installed.

Figure 4

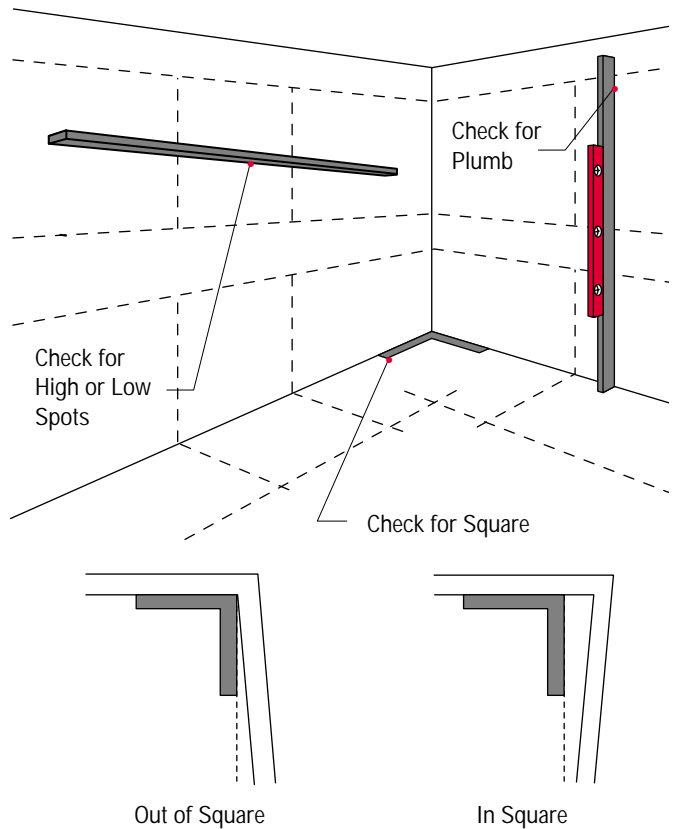
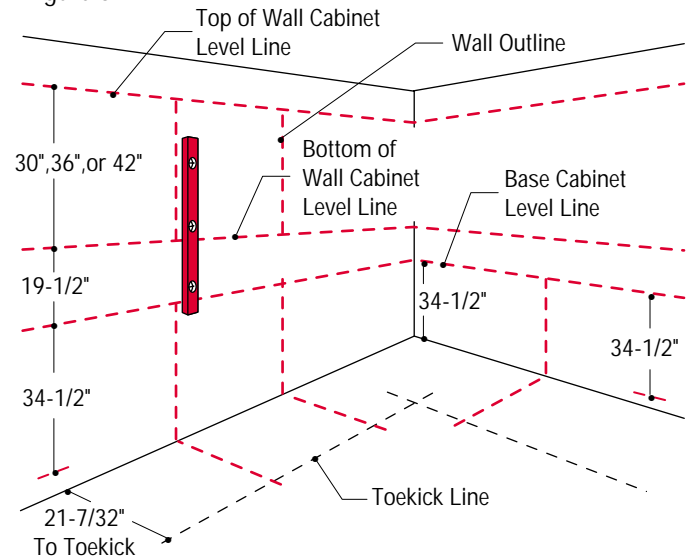


Figure 5



Locate and Mark Wall Studs

Figure 6

Typical wall construction places wall studs on 16" centers. This means that every 16" you have the center of a 2 x 4 wall stud to support your cabinets.

To locate a wall stud, there are wall stud finder tools available or you can tap on the wall and listen for a "solid" sound.

Once you have located a wall stud, drive a long thin finish nail or use a power drill with a small bit to drill into an area just below the Base Cabinet Level Line that will be covered by the cabinets. It will require several holes spaced close together to find the outside edges on the wall stud to determine its center. Measure out 16" from this point and repeat to be certain that you have contacted the center of the wall stud. Mark the location. Continue this process to locate all wall studs behind your cabinets.

Once all wall studs are located, use a 4' level to draw vertical plumb lines at each wall stud from the floor to a few inches above the Top of Wall Cabinet Level Line.

Soffits and Low Ceiling Conditions

Figure 7

If wall cabinets are to be mounted under soffits or ceilings lower than 8', you must first determine the lowest point under the soffit or ceiling. Measure up from your Base Cabinet Level Line in several areas to locate the lowest point. Mark this point.

Mark other points at the same distance up from the Base Cabinet Level Line. Snap a level chalk line between these points. This will be the Top of Wall Cabinet Level Line.

Measure 30", 36", or 42" (the height of your wall cabinets) down from this line to confirm the distance between the Bottom of Wall Cabinet Level Line and the Base Cabinet Level Line. You must have a minimum of 17½" between counter top and the wall cabinet for proper appliance garage operation.

With Base Cabinets You Must Have These Dimensions:

Figure 8

- 30" Wall Cabinets
Require 84" from top Wall Cabinet Level Line to Floor High Point Level Line
- 36" Wall Cabinets
Require 90" from top Wall Cabinet Level Line to Floor High Point Level Line
- 42" Wall Cabinets
Require 96" from top Wall Cabinet Level Line to Floor High Point Level Line

Figure 6

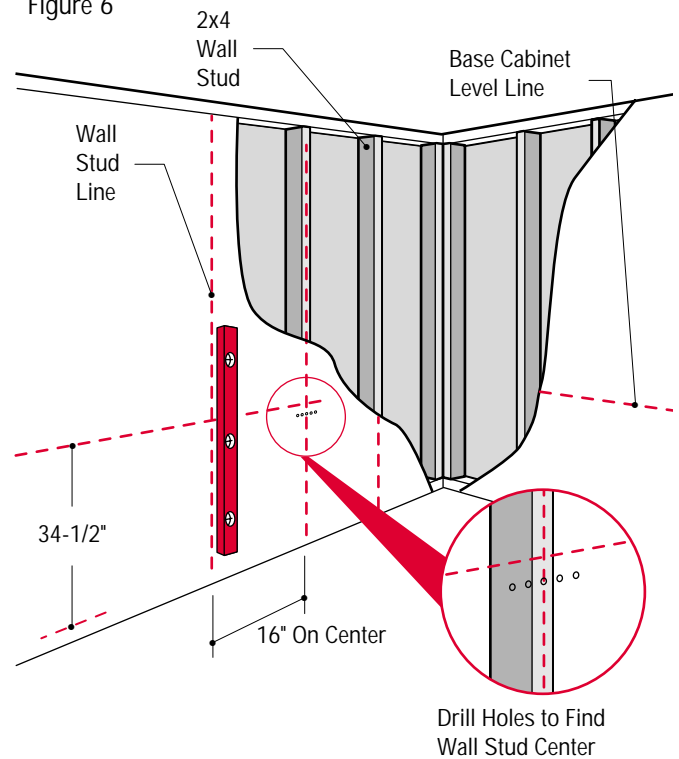


Figure 7

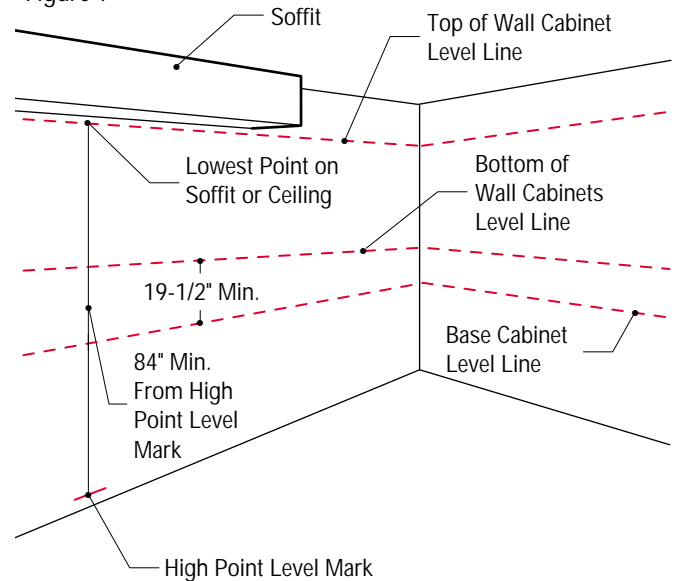
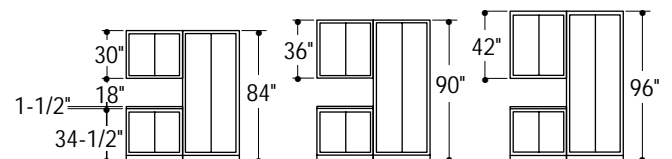



Figure 8



Decide Installation Sequence

CAUTION:

 **Do not use nails to install base or wall cabinets.** Use the recommended screws. Using nails or drywall screws will void the product warranty and may allow cabinets to fall from the wall.

At this point, decide which cabinets you want to install first — base cabinets or wall cabinets. This instruction deals first with base cabinets; if you want to start with wall cabinets, go to Section Three.

There are advantages to either installation sequence:

Wall Cabinets First

- You won't have to reach over base cabinets to install the upper cabinets.

Base Cabinets First

- After base cabinets are installed, you can place a sheet of plywood or particleboard on the base cabinets and use them as a tool bench.
- You can lift wall cabinets onto the plywood and use a precise spacer to lift wall cabinets the proper height above the countertop.

This spacer method is useful for components (like appliance garages and tall cabinets, refrigerators, etc.) that require consistent spacing between the base and wall cabinets. This spacing method works only if base cabinets are installed correctly first.

Unpack Cabinets

Figure 9

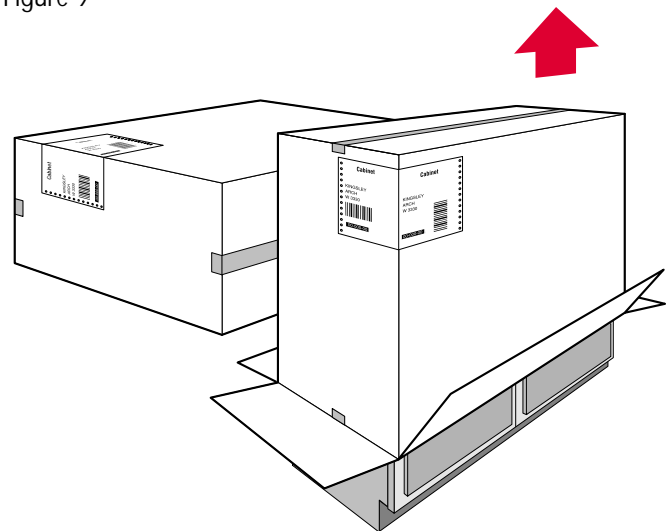
Inspect all cartons for damage. Report any damage to your dealer immediately.

Open only the cartons you will need. Leave other cabinets cartoned, out of your way, and safe from damage.

The product label is located on the front top left-hand corner on each carton. This will assist in determining the top and front of each carton.

Lay cartons on the back, one at a time. Cut **bottom** tape only; **do not** cut sides. Fold back bottom flaps or cut them off. Stand upright and lift carton off top.

Figure 9



Section Two

Installing Base Cabinets

Remove Doors, Drawers and Roll-out Trays

Remove doors, drawers and roll-out trays so they aren't in the way during clamping and attachment. Removal also makes the cabinets lighter to move. Label each piece with masking tape so you know where to reinstall.

To Remove Doors:

Figure 1

Depending on the door style, loosen or remove the Face Frame Screw(s) that hold Door Hinges.

To Remove Drawers and Roll-Out Trays:

Pull out to the stop, lift the front, then pull straight out. As it reaches stop, lower front then continue to pull forward.

“Dry Fit” Cabinets

Start in a corner first. If no corner is in the layout, start at an end of a row of cabinets. Carefully slide cabinets into position — don't attach or shim them at this time. This dry fit helps you “visualize” the layout. Check against the layout to confirm you have all cabinets needed.

The Wall Outline you marked on the wall represent the widths of the cabinets at the front face frame. For example: a 36"-wide cabinet is 36"-wide across the face frame, and $\frac{3}{16}$ " or $\frac{1}{4}$ " per side narrower at the back. Check your cabinets to see what this dimension is and it should match the space between the cabinet end panel and the mark you put on the wall.

This is also a good time to check to see how cabinets line-up for square in corner locations. Also check for drawer front clearances and any interference that might occur with drawer pull hardware, door knobs, or appliances.

With the cabinets in place, you can see how important the Base Cabinet Level Line is. When installed, all cabinet tops must match this line *exactly*.

IMPORTANT:

If any cabinet is *above* the line, then the High Point is not correct. Don't install until you've found the High Point and redraw the Base Cabinet Level Line and Wall Cabinet Level Line.

If any cabinets are $\frac{3}{4}$ " or more *below* the line, build up that area with 1 x 2 furring strips.

Blind Corner Cabinet

Figure 2

If the corner has a Base Blind Corner, the dry fit is a good time to check the cabinet spacing from the corner wall.

Dry fit the cabinets tightly together, starting at the end of the row of cabinets and butt against the Blind Corner Cabinet. Mark position where the end of the Blind Corner Cabinet is spaced away from the corner wall (see page 9, Figure 5).

Figure 1

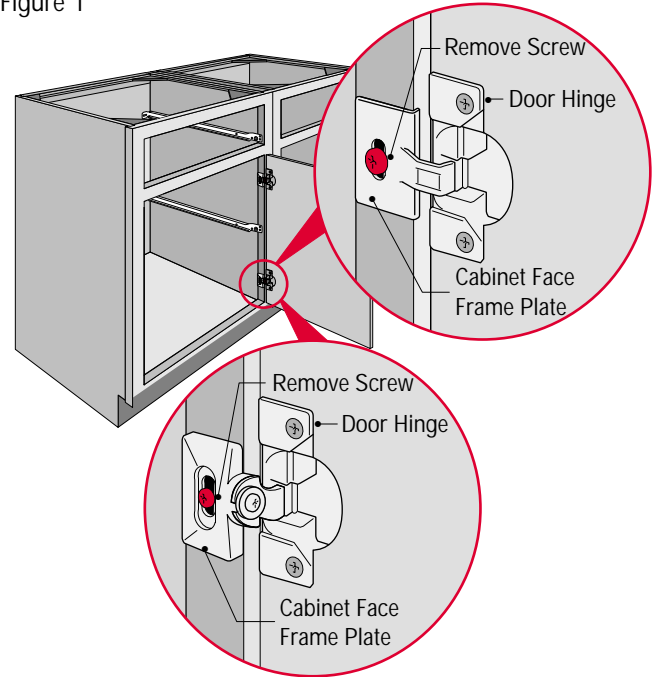
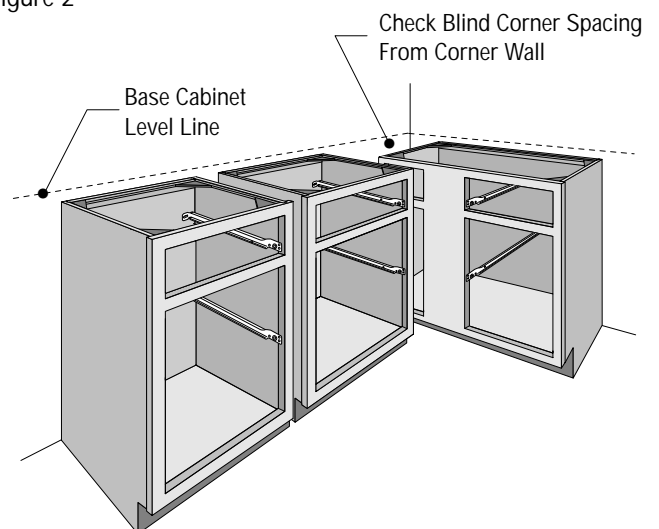
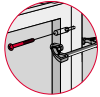


Figure 2



Attachment Tips for Base Cabinets



Follow these attachment tips to save time and ensure a better-looking installation. These tips apply to all types of base cabinets.

Shim, Level and Clamp

Place cabinet in final position, tight against adjacent cabinet and wall. Bridge shims across bottom of both cabinets so they are perfectly level and match the Base Cabinet Level Line.

Check for level front-to-back and side-to-side. Also check Face Frames to be certain they are plumb.

Place clamps just above drawer slide and just above bottom hinge. Clamp cabinets together loosely.

Adjust so Face Frames align perfectly at the top and front edges.

- If you need to tap cabinets for alignment, use a block or rubber mallet to avoid marring finish.

Tighten clamps.

Drill and Fasten Face Frames

Figure 3

Don't attach cabinets to wall until all cabinet Face Frames are fastened.

On a $\frac{1}{8}$ " bit, set tape or drill depth gauge at $2\frac{1}{2}$ ".

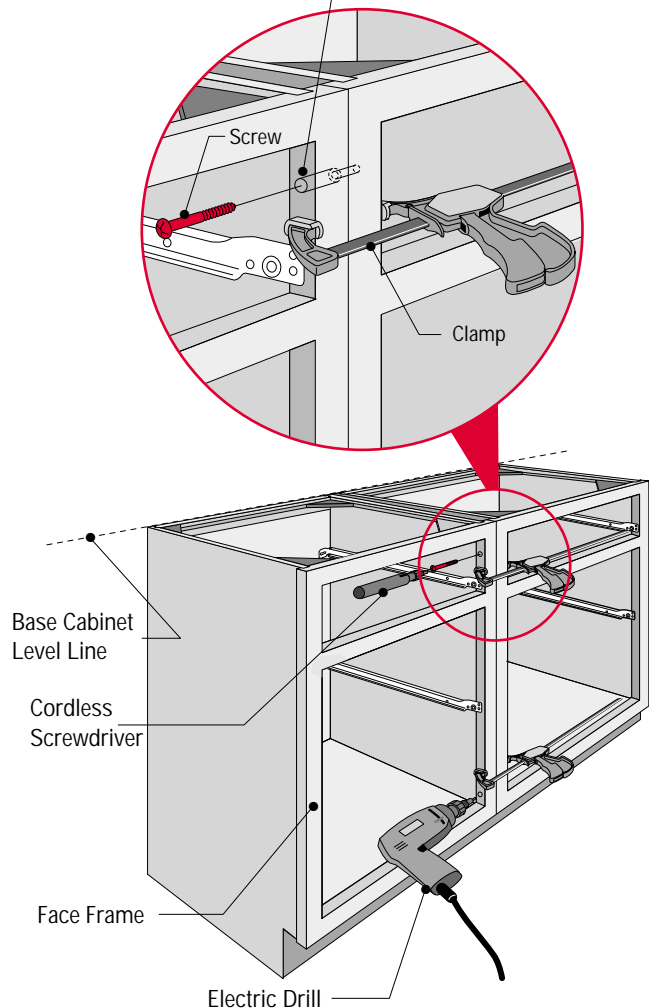
Before drilling Face Frames, recheck for level and alignment between Face Frames.

For the least visible, most consistent placement of Face Frame Screws:

- Where possible, predrill Face Frames from the hinge plate side.
- Use drill as a self-positioning jig by holding it flat against the top of cabinet opening. Use $\frac{1}{8}$ " bit to drill a pilot hole $2\frac{1}{2}$ " through Face Frame and into the next Face Frame.
- Hold drill flat against bottom of cabinet opening. Repeat to drill matching pilot hole.
- To make tighter union and avoid splintering wood, use $\frac{7}{32}$ " bit to enlarge hole in the first Face Frame only.
- To make screw driving easier, rub paraffin or bee's wax on the Face Frame Screws.
- Recheck level and alignment between cabinets, then fully tighten the Face Frame Screws.

Figure 3

$\frac{1}{8}$ " Pilot Hole $2\frac{1}{2}$ " deep,
Then $\frac{7}{32}$ " Clearance Hole
Thru First Face Frame



Where To Begin Installation

Start in the corner if layout includes:

- Base Blind Corner
- Base Corner
- Base Corner Revolving

If there is no corner, start at an obstructed end that begins at a wall or appliance.

Blind Corner Cabinets

Before moving the Base Blind Corner Cabinet into the corner, attach Filler and counter top brace to the wall.

Attach Filler to Adjacent Cabinet

Figure 4

- The Blind Corner Filler/Panel provides clearance between 90° cabinets for drawer and door pull hardware. Check for adequate clearance.
- If pull hardware needs more clearance, use a wider Filler.

Loosely clamp Filler and Blind Panel to Face Frame of adjacent base cabinet.

Align Filler perfectly with the top and front of the Cabinet Face Frame. Tighten clamps.

Pre-drill (see “Drill and Fasten Face Frames”, page 8) through the Cabinet Face Frame into the Filler.

Use 2½" screws to fasten Filler.

Attach Counter Top Brace to Wall Studs

Figure 5

The Base Blind Corner Cabinet will leave a gap at the corner wall, cut a 23"-long brace from 1 x 3 lumber.

Place the brace against the corner wall so its top exactly matches the Base Cabinet Level Line. Use appropriate screws to fasten into wall studs.

Fasten Base Blind Corner to Adjacent Cabinet

Position hidden end of the Base Blind Corner Cabinet at the proper spacing from the wall. The spacing is determined by the opposite end of the row of cabinets; this dimension should be noted on the layout.

Push adjacent cabinet (with Filler/Panel attached) against the Base Blind Corner Cabinet.

Shim cabinets so they match the Base Cabinet Level Line, the Face Frames align perfectly, and the Face Frames are plumb.

Attach clamp between cabinet tops.

Drill two ⅛" pilot holes through Base Blind Corner Cabinet Face Frame Center Stile into top and bottom edge of the Filler (Top View). Fasten with 2½" screws.

Drill two more pilot holes from interior into top and bottom of the Blind Panel. Fasten with 1¼" screws.

Figure 4

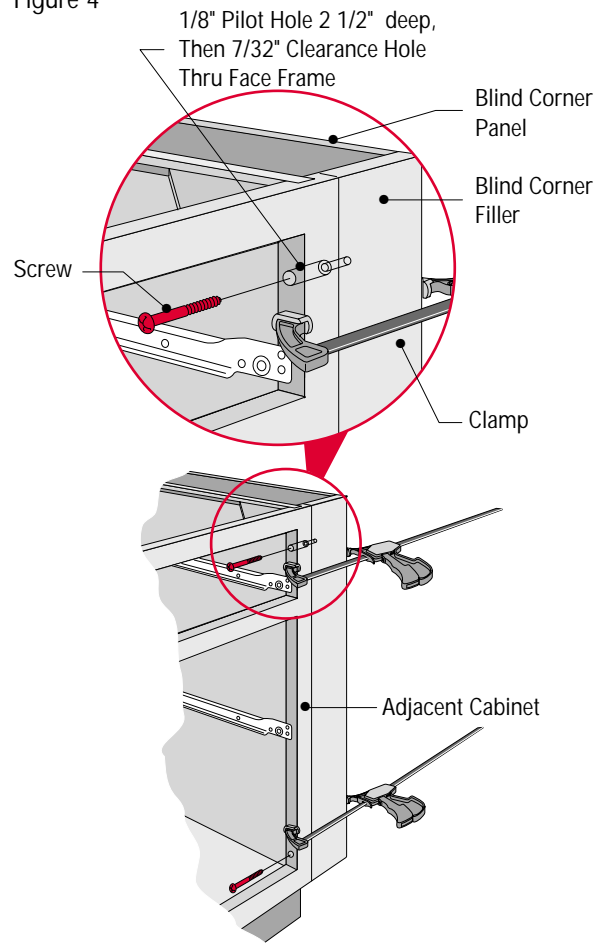
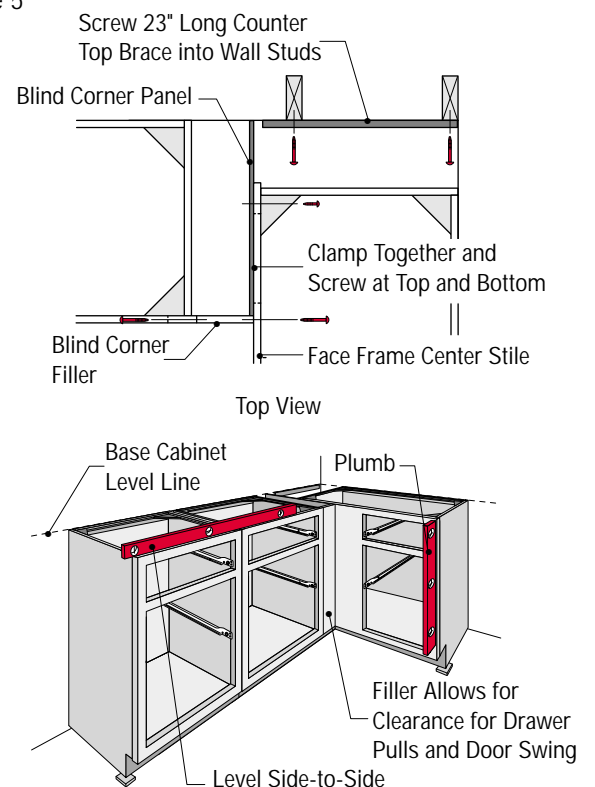


Figure 5



Base Corner Cabinets

Attach Counter Top Brace to Wall

Figure 6

Cut two 34"-long braces from 1 x 3 lumber.

Place each brace against the corner wall so its top exactly matches the Base Cabinet Level Line. Use appropriate screws to fasten into wall studs.

Attach Base Corner Cabinet

Place Base Corner Cabinet into corner. Measure so each edge of Face Frame is 36" away from the *opposite* corner. When installed, the back of the Base Corner Cabinet will *not* touch the wall.

Place Face Frame of one adjacent cabinet against the Face Frame of the Base Corner Cabinet.

Clamp the two cabinets together, but do not drill. Adjust so their Face Frames align at the top and at front edges.

Before attaching second cabinet, shim back of the Base Corner Cabinet if necessary.

Clamp second cabinet Face Frame to the Face Frame of the Base Corner Cabinet.

With cabinets in final position, shim so they match the Base Cabinet Level Line, the Face Frames are flush and plumb.

Pre-drill through Face Frame into adjacent cabinets.

Fasten with 2½" screws.

Base Cabinet Completion

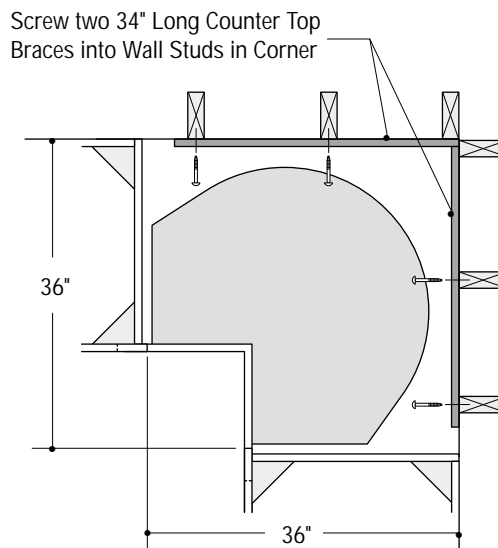
Attach Remaining Cabinets

Attach remaining cabinets, following the steps in Attachment Tips for Base Cabinets.

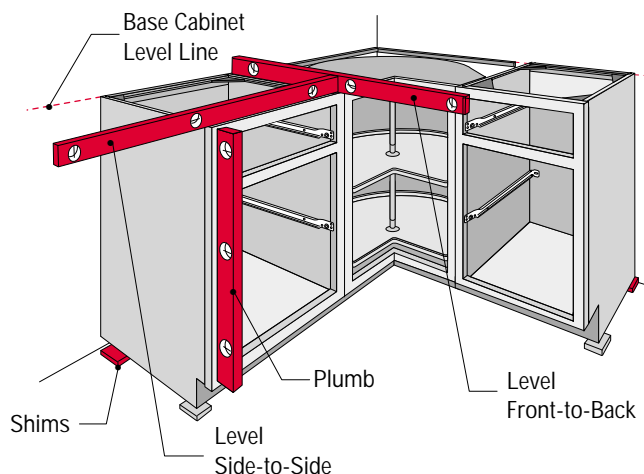
- If the installation involves a corner, layout the corner cabinet first. If there is no corner, start at an obstructed end that begins at a wall or appliance.

Mark the width of the first cabinet on the floor and wall in this location. Use a level to draw a line vertically between the floor and the top of the Base Cabinet Level Line.

Figure 6



Top View of Typical Base Corner Cabinet



End Wall Filler

Wall Fillers are available to fill gaps between the end of a row of cabinets and a 90° wall.

Prepare Backer Board

Figure 7

NOTE: A Backer Board is required behind the Wall Filler **only** if the Filler is wider than 3".

Attach Backer Board **before** installing the final cabinet.

To mark Wall Filler and Backer Board positions:

- Run a straight edge across the space between the wall and the closest cabinet. On wall, mark behind the straight edge. Draw a straight, vertical line from this mark.
- Align front of Filler on this mark. Mark **behind** the Filler for front position of the Backer Board.
- Attach Backer Board to wall so it is plumb. Be sure that Backer Board is wide enough to be fastened to the nearest wall stud.
- Attach a Toekick Backer Block to the floor at the Front Base Cabinet Line to serve as a backer for toekick cover.

Install Final Cabinet

Shim, level, and install the final cabinet.

Measure Wall Filler

Figure 8

With final cabinet in place, measure gap between the wall at the top and bottom of the cabinet. Check if wall contour is even.

If wall contour is even, use these dimensions to mark and cut the Wall Filler.

Scribe Wall Filler for Irregular Wall

Figure 8

If the wall contour is irregular, you'll need to clamp the Filler parallel to the cabinet, then use a compass to scribe the wall contour onto the surface of the Filler.

NOTE: Scribing is required only if the wall surface is irregular.

Before scribing, run masking tape down the Filler where the scribe mark will be. This tape will show the mark better and will protect the Wall Filler surface when cutting.

Clamp Wall Filler to front of the final cabinet so its uncut edge is parallel to the cabinet.

Use compass to scribe wall contour onto the Wall Filler.

NOTE: Cut conservatively! It is better to cut too little than to cut too much. Final fitting may require edge sanding.

Cut Wall Filler to width following the scribe mark.

Put Filler in position. Drill and fasten between final cabinet and Filler edge.

Use finish nails to tack Wall Filler to Backer Board, if necessary.

Figure 7

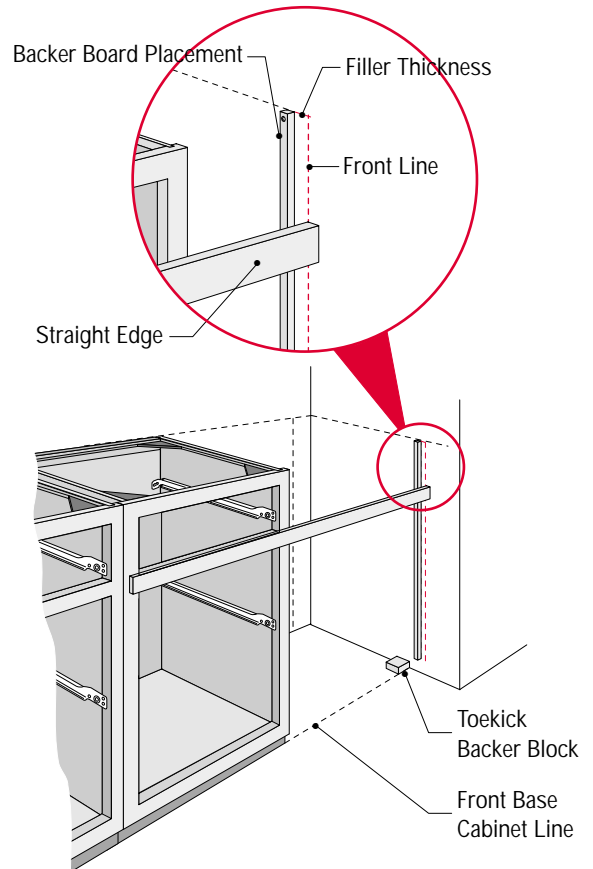
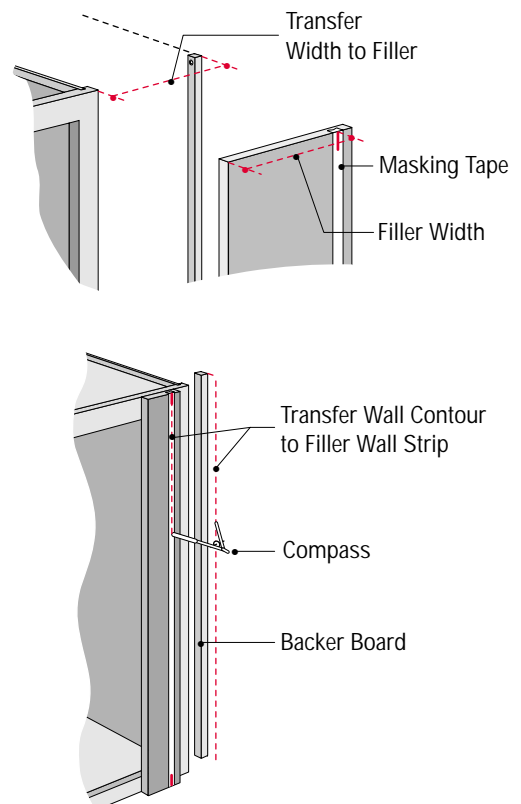


Figure 8



Attach Base Cabinets to Wall

Figure 9

After Base Cabinets are fastened to each other, prepare to attach cabinets to the wall.

Re-check each cabinet for level front-to-back and side-to-side. Check each front for plumb.

Add shims if there is any space between cabinet and wall. Otherwise, fastening screws will pull cabinet to the wall and out of square.

Use $\frac{1}{8}$ " bit to drill $2\frac{1}{2}$ " deep. Next use $\frac{7}{32}$ " bit to enlarge hole thru cabinet Back Rail. Pre-drill through cabinet Back Rail (and shims) into each wall stud location. With 18" and wider cabinets, fasten screws into two wall studs.

With narrower cabinets you may only be able to fasten into one wall stud. In this case be sure to attach to adjacent Face Frames. To make screw driving easier, rub paraffin or bee's wax on the screws.

Replace Doors and Drawers

Replace doors and drawers.

Hold drawer or tray with back angled up. Place rollers into slide channel. Lift front slightly higher than the back and push.

Check Drawer and Roll-Out Tray Alignment

Figure 10

Drawer slides can be moved at the back for self-alignment.

Check to be sure drawers close squarely at the front. To adjust, hold slides at back and shift slides left or right until front is aligned with Face Frame and rolls in and out freely.

Figure 9

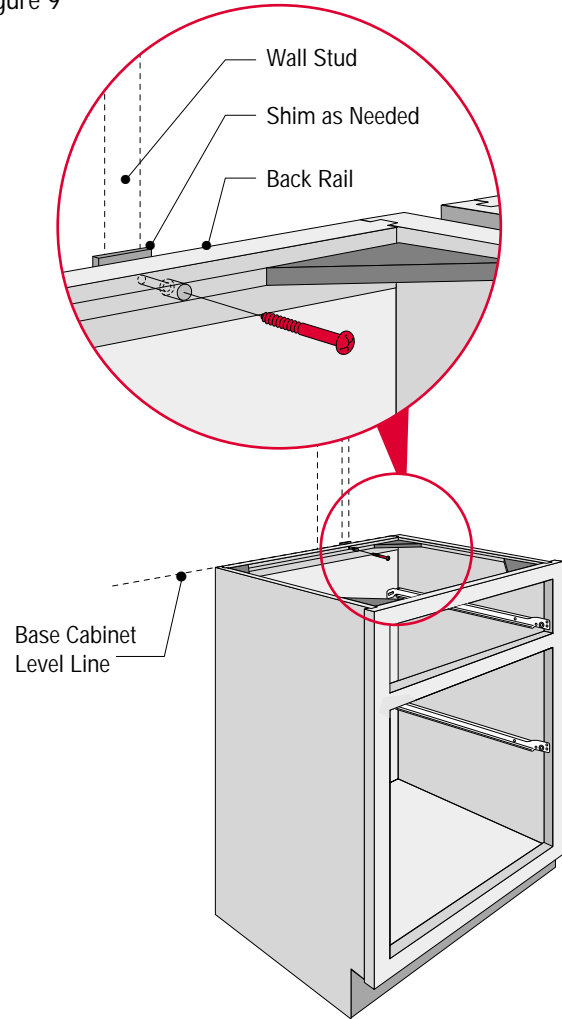
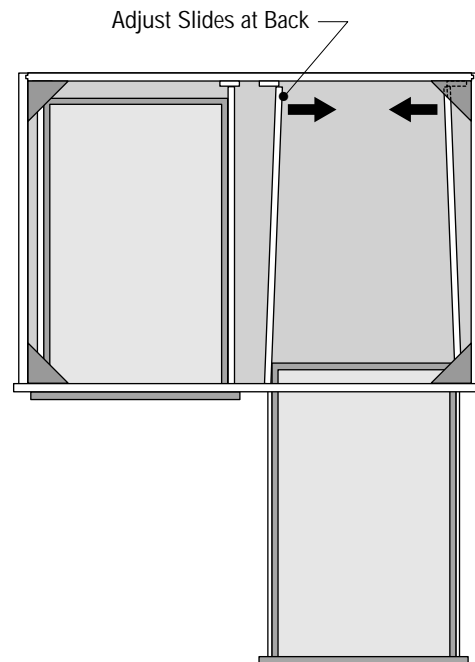



Figure 10



Section Three

Installing Wall Cabinets

CAUTION:

 **Do not use nails to install base or wall cabinets.** Use the recommended screws. Using nails or drywall screws will void the product warranty and may allow cabinets to fall from the wall.

Minimum Wall Cabinet Attachment Requirements

If a cabinet is not bordered by cabinets on both sides, the face frame must be screwed into the soffit joists or ceiling joists.

Cabinets up to 18" Wide

Screw a top and bottom wall attachment screw into **one** wall stud and face frame to one adjacent cabinet.

21" to 48" Wide Cabinets

Screw top and bottom wall attachment screws into **two** wall studs and face frame to one adjacent cabinet. End Wall Cabinets where a wall stud falls more than 6" from exposed end of cabinet require additional support such as wall anchors or toggle bolts within 6" of the end of the cabinet.

Check Wall Outline

Before installing wall cabinets, it's important to check accuracy of the cabinet Wall Outline you've drawn on the wall. It is easy to move lines, not so easy to move installed cabinets.

Be sure:

- Wall Outline follows the layout.
- The standard Wall Cabinet Bottom Level Line is 54" above the **highest** point of the floor. Standard height is 54", though this dimension may vary for some cabinet types.
- If base cabinets are already installed, there should be 19½" between tops of bases and Wall Cabinet Bottom Level Line.

Remove Doors and Shelves

Remove doors and shelves so they aren't in the way during installation. Removal also makes cabinets lighter. Label each piece with masking tape so you know where to reinstall.

To Remove Doors:

Figure 1

Depending on door style, loosen or remove the mounting screw(s) on the face frame that hold door hinges.

Cabinet Support

Figure 2

Well-made braces make installation easier and more accurate.

- Install a straight 1 x 2 ledger board on the Wall Cabinet Bottom Level Line. Fasten board into wall studs with 2½" screws. This is the most stable support method, though it requires minor repairs to patch screw holes.
- Make a "T" brace from 2 x 4's. Pad the top with carpeting. Reinforce where the 2 x 4's join.

If base cabinets are **not** yet installed:

- Make "T" brace about 55" high (long enough to reach lowest spot of floor).

If base cabinets **are** installed:

- Place ¾" plywood on top of base cabinets to support "T" brace.
- Make "T" brace 18¾" high.

Figure 1

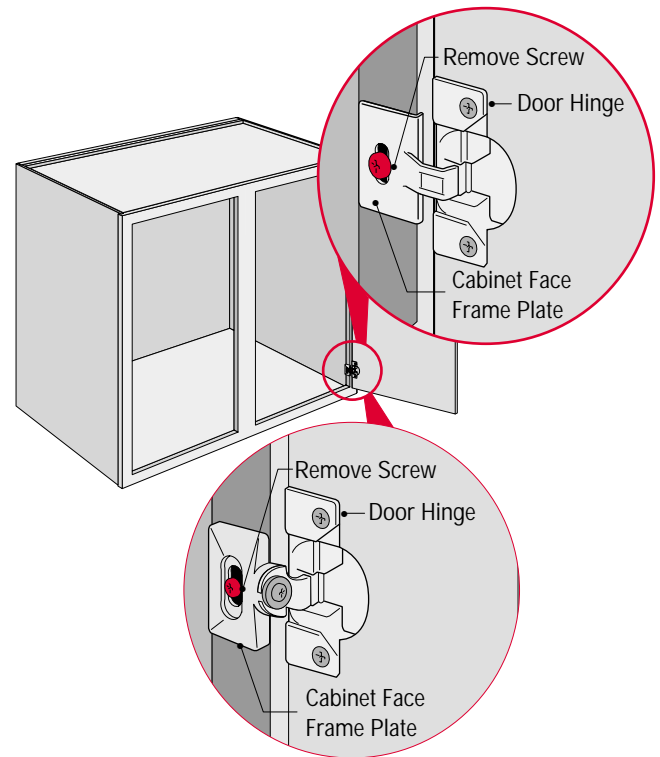
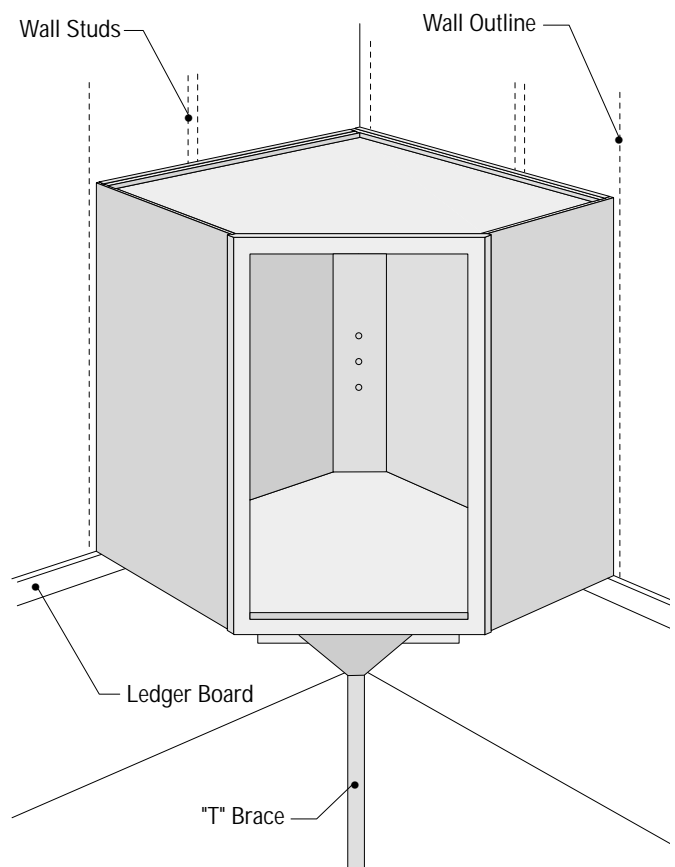


Figure 2

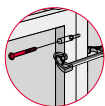


To Remove Shelves:

Figure 3

Push in top of shelf clips so you can lift the shelf up and out.

Attachment Tips for Wall Cabinets



Follow these attachment tips to save time and ensure a better-looking installation of adjacent cabinets. These tips are placed at the beginning of this section because they apply to Face Frame attachment of all types of wall cabinets.

Position, Shim, Level and Clamp

Install first cabinet according to the basic instructions (see Figures 5, 6, and 7).

Figure 4

Lift adjacent cabinet onto supports. Between the two cabinets, place clamps just below top hinge and above bottom hinge. Clamp cabinets loosely.

Loosely drive the top 2½" screw through adjacent cabinet and the recommended screws into wall studs.

Adjust and shim cabinet so it is level and both Face Frames align at bottom and front edges.

- If you need to tap cabinets for alignment, use a block or rubber mallet to avoid marring finish.

Loosely drive bottom screws.

Tighten clamps.

Drill and Fasten Face Frames

On a ⅛" bit, set tape or drill depth gauge at 2½".

Before drilling Face Frame, recheck for level and alignment between Face Frames.

For the least visible, most consistent placement of Face Frame Screws:

- Where possible, predrill Face Frames from the hinge plate side.
- Use drill as a self-positioning jig by holding it flat against the top of cabinet opening. Use ⅛" bit to drill a pilot hole 2½" through Face Frame and into the next Face Frame.
- Hold drill flat against bottom of cabinet opening. Repeat to drill matching pilot hole.
- To make tighter union and avoid splintering wood, use 7/32" bit to enlarge hole in the first Face Frame **only**.
- To make screw driving easier, rub paraffin or bee's wax on Face Frame Screws.
- Recheck level and alignment between cabinets, then fully tighten the Face Frame Screws.

Figure 3

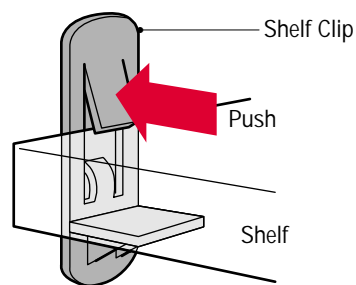
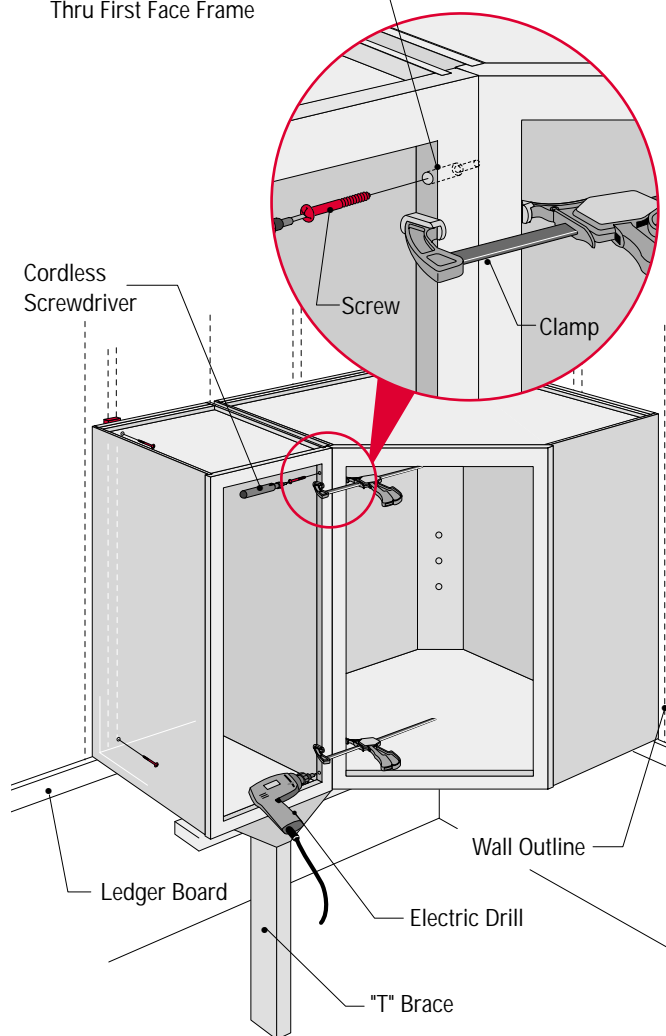


Figure 4

1/8" Pilot Hole 2 1/2" deep,
Then 7/32" Clearance Holes
Thru First Face Frame



Where To Begin Installation

Start installation in a corner, if possible. Your installation likely includes one of these corner cabinets:

- Wall 45° Corner Cabinet
- Wall Corner Pie Cut Cabinet
- Wall Blind Corner Cabinet

If there is no corner cabinet, start installation at an obstructed end that begins at a wall or appliance.

Wall Corner Pie Cut Cabinet, Wall 45° Corner Cabinet

Measure Fastener Holes

Figure 5

Measure from Wall Outline to the wall studs that will support cabinet.

Transfer Measurement to Cabinet

Figure 6

When positioning on wall, the cabinet back width will not reach the Wall Outline because the back width is offset from (less than) the cabinet Face Frame.

This offset varies with the cabinet style, so check for the exact measurement.

Cabinet Spacer Tip

To make measuring from Wall Outline easier: Make a Spacer that equals the offset. When the Spacer is added, the cabinet back width equals the Face Frame width.

Use Spacer to transfer the wall stud position (from Figure 5) to the Hang Rail on back of the cabinet.

Predrill Fastener Holes

Predrill cabinets while they're resting on the floor.

NOTE: To avoid "breakout" or splintering of cabinet back, don't press hard on drill. Use a sharp bit and let the bit do the work gradually.

At wall stud locations predrill $\frac{7}{32}$ " holes through Hang Rails on cabinet exterior.

Bottom Hang Rails:

- Drill 2" up from bottom.

Top Hang Rails:

- Drill 1" up from bottom.

Figure 5

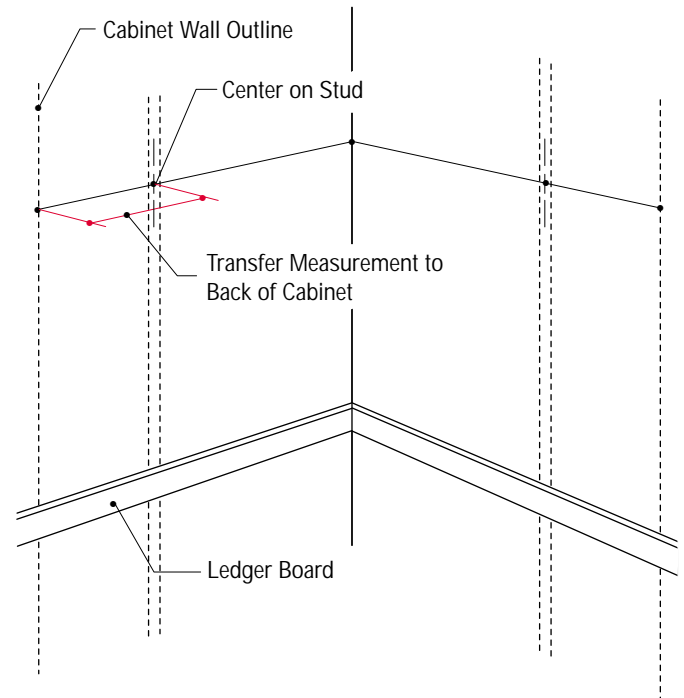
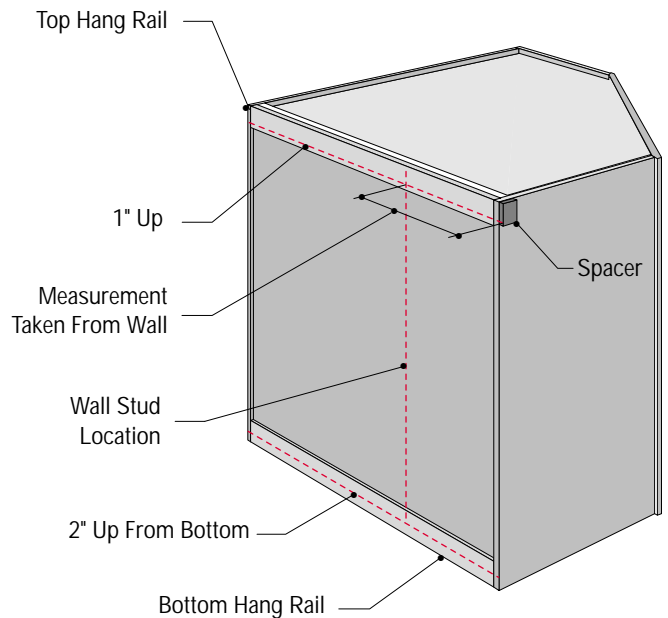


Figure 6



Shim, Level, and Fasten

Figure 7

Cabinet Lifting Tip

Cabinets may be too heavy for one person. Two people should lift cabinets together. Use your legs to lift cabinets, not your back.

Lift cabinet onto supports.

Position cabinet squarely into corner.

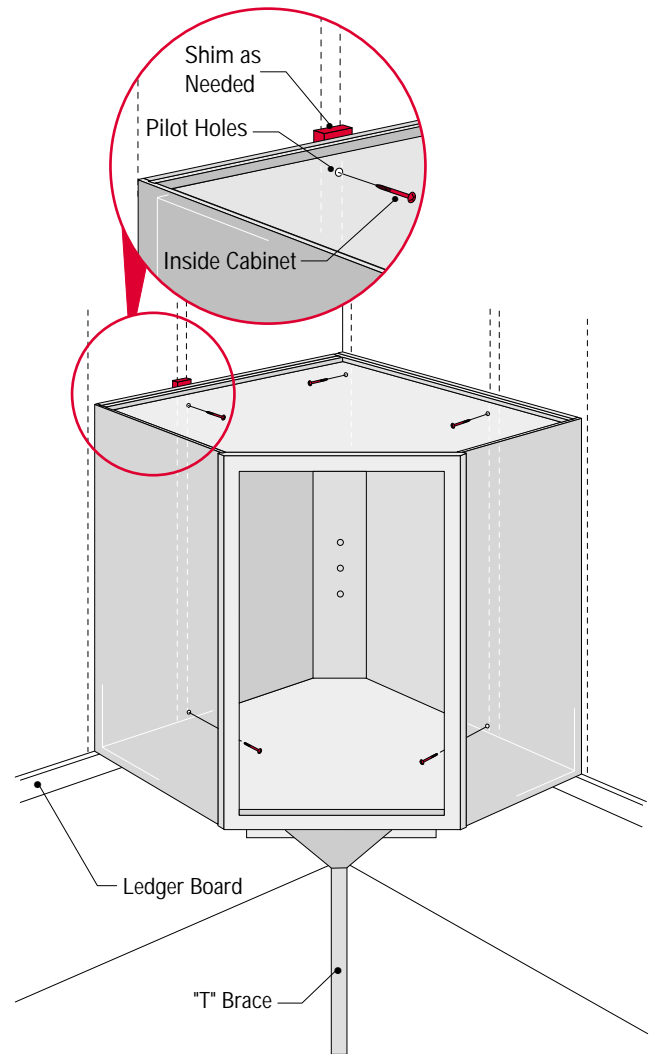
Level cabinet bottom to the Wall Cabinet Bottom Level Line.

At top of cabinet, fasten one 2½" wall attachment screw into wall stud closest to the corner.

Shim back of cabinet so face frame is plumb. If wall corner is not square, shim cabinet sides. Place shims so they are held by screws.

Fasten remaining 2½" wall attachment screws at top and bottom. Tighten screws after rechecking for level and plumb.

Figure 7



Wall Blind Corner Cabinet

Check the Wall Outline for distance that the Blind Corner Cabinet is pulled away from the corner. The maximum pull-out distance is 2⁷/₈".

Measure Fastener Holes

Measure from Wall Outline to the wall studs that will support the cabinet. Use Spacer to transfer these wall stud positions to the top and bottom hang rails (see "Measure Fastener Holes", page 15).

Predrill Fastener Holes

At wall stud locations predrill ⁷/₃₂" holes through back of cabinet (see "Predrill Fastener Holes", page 15).

Fasten Cabinet

Figure 8

Lift Blind Corner Cabinet onto supports. When positioning, add spacer so cabinet back width matches Wall Outline.

Fasten cabinet (see "Shim, Level, and Fasten", page 16).

Attach Filler to Adjacent Cabinet

Figure 9

Before lifting adjacent cabinet to the Blind Corner Cabinet, align Filler/Panel with bottom and front of the adjacent cabinet Face Frame.

Clamp the Filler/Panel in place.

Predrill (see "Drill and Fasten Face Frames", page 14) through the cabinet Face Frame into the Filler.

Fasten Filler with 2¹/₂" screws.

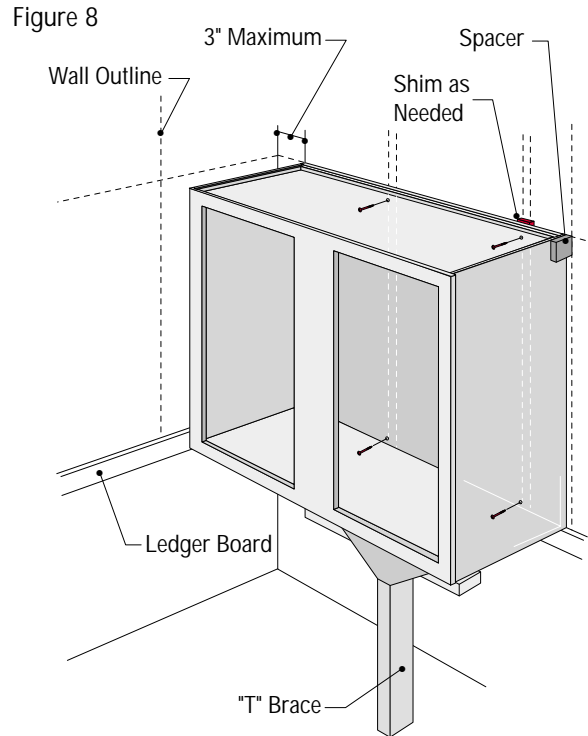
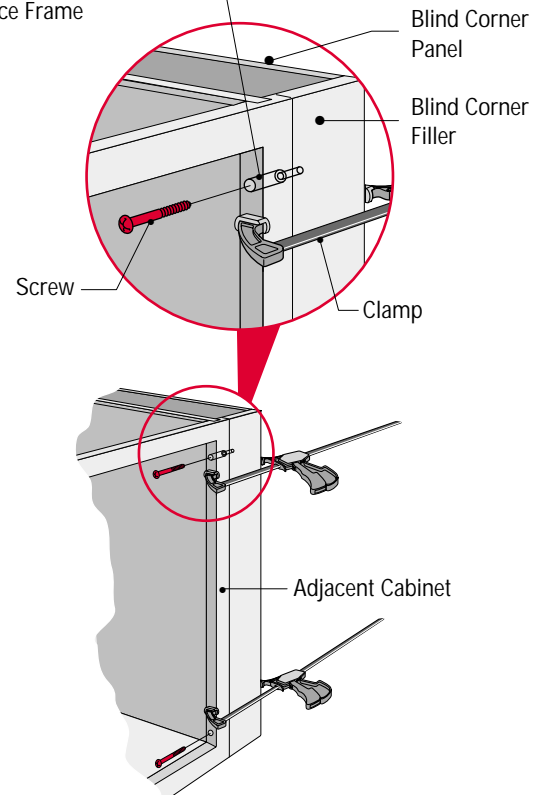


Figure 9

1/8" Pilot Hole 2 1/2" deep,
Then 7/32" Clearance Hole
Thru Face Frame



Fasten Blind Corner Cabinet to Adjacent Cabinet

Figure 10

Lift adjacent cabinet (with Filler and Blind Panel attached) and push against Blind Corner Cabinet.

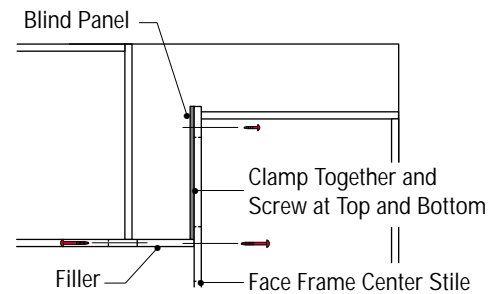
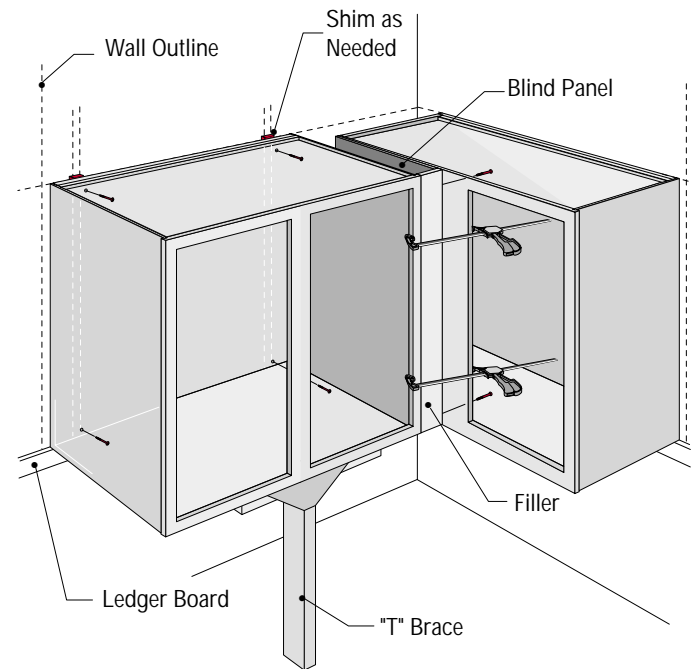
Be sure both cabinets align at top and bottom, and that the Face Frames are plumb.

Attach clamps between the two cabinet Face Frames.

Drill two $\frac{1}{8}$ " pilot holes through Blind Corner Cabinet Face Frame Center Stile into top and bottom edge of the Filler (Top View). Fasten with $2\frac{1}{2}$ " screws.

Drill two more pilot holes from interior into top and bottom of the Blind Panel. Fasten with $1\frac{1}{4}$ " screws.

Figure 10



Top View

Install Remaining Cabinets

After corner or end cabinet(s) are fastened, continue installation with remaining adjacent cabinets.

End Wall Filler

Wall Fillers are available to fill gaps between the end of a row of cabinets and a 90° wall.

Prepare Backer Board

Figure 11

NOTE: A Backer Board is required behind the Wall Filler **only** if the Filler is wider than 3".

Attach Backer Board **before** installing the final cabinet.

To mark Wall Filler and Backer Board positions:

- Run a straight edge across the space between the wall and the closest cabinet. On wall, mark behind the Straight Edge. Draw a straight, vertical line from this mark.
- Align front of Filler on this mark. Mark **behind** the Filler for front position of the Backer Board.
- Attach Backer Board to wall so it is plumb. Be sure that Backer Board is wide enough to be fastened to the nearest wall stud.

Install Final Cabinet

Shim, level, and install the final cabinet.

Measure Wall Filler

Figure 12

With final cabinet in place, measure gap between the wall and the top and bottom of the cabinet.

If wall contour is even, use this dimension to mark and cut the Filler.

Scribe Wall Filler For Irregular Wall

Figure 12

If the wall contour is irregular, you'll need to clamp the Filler parallel to the cabinet, then use a compass to scribe the wall contour onto the surface of the Filler.

NOTE: Scribing is required only if the wall surface is irregular.

Before scribing, run masking tape down the Filler where the scribe mark will be. This tape will show the mark better and will protect the Wall Filler surface when cutting.

Clamp Wall Filler to front of the final cabinet so its uncut edge is parallel to the cabinet.

Use compass to scribe wall contour onto the Wall Filler.

NOTE: Cut conservatively! It is better to cut too little than to cut too much. Final fitting may require edge sanding.

Cut Wall Filler to width following the scribe mark.

Put Filler in position. Drill and fasten between final cabinet and Filler edge.

Use finish nails to tack Wall Filler to Backer Board, if necessary.

Figure 11

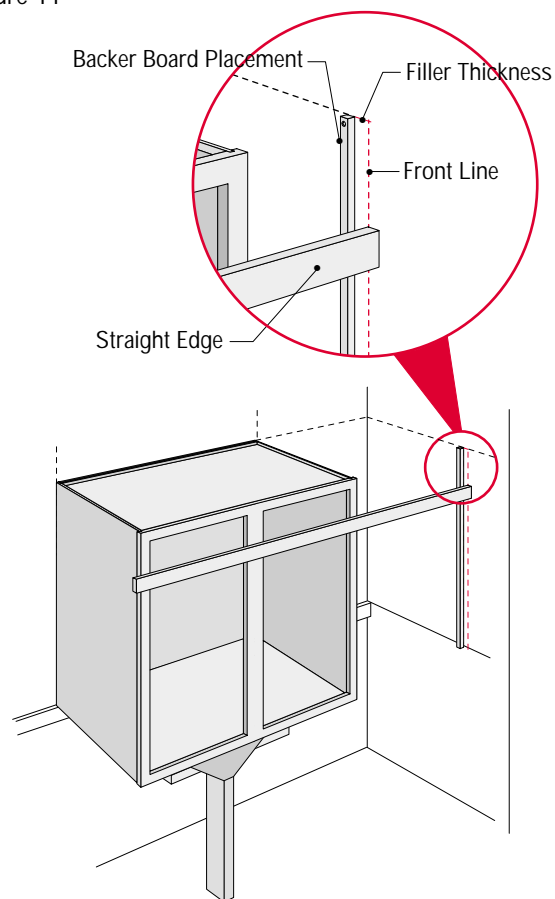
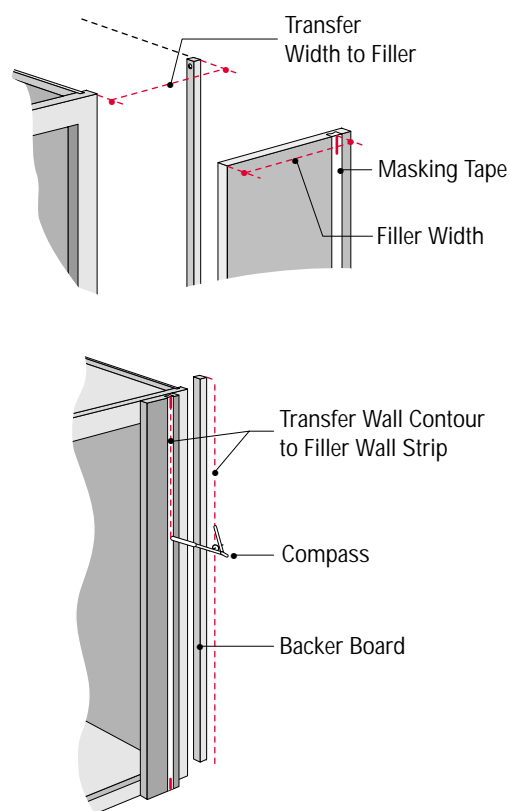


Figure 12



Replace Doors And Shelves

Place Shelves on shelf supports. Push down until clip snaps over shelf (see Figure 3, page 14).

Replace Doors on hinges (see Figure 1, page 13).

Adjust Single-Pivot Door Hinges

Figure 13

All hinge types allow you to adjust door height; some also allow left-to-right adjustment.

To Adjust Height:

To change height, open door. Loosen Screw A (mounting screw) counterclockwise on both hinges.

Move door up or down to proper position. Doors should be at the same height on all cabinets.

After adjusting, turn Screw A clockwise to tighten. Do not overtighten.

To Adjust Left Or Right:

Check hinges to see if Screw B is available.

Doors should be plumb and even with face frames. Double door cabinets should have even spacing between the doors.

To adjust left or right, open door. Loosen Screw B counterclockwise, one hinge at a time.

Shift door left or right as needed.

After adjusting, turn Screw B clockwise to tighten.

Adjust Compound Hinges

To Adjust Height:

Open door. For minor height adjustments, loosen Screw A on hinge body. Move door up or down to proper position.

For additional adjustment, loosen Screw A on both hinge plates and reposition door. After adjustment, tighten screws.

To Adjust Left or Right:

Open door. Turn Screw B counterclockwise to move door away from hinge.

Turn Screw B clockwise to move door in toward hinge.

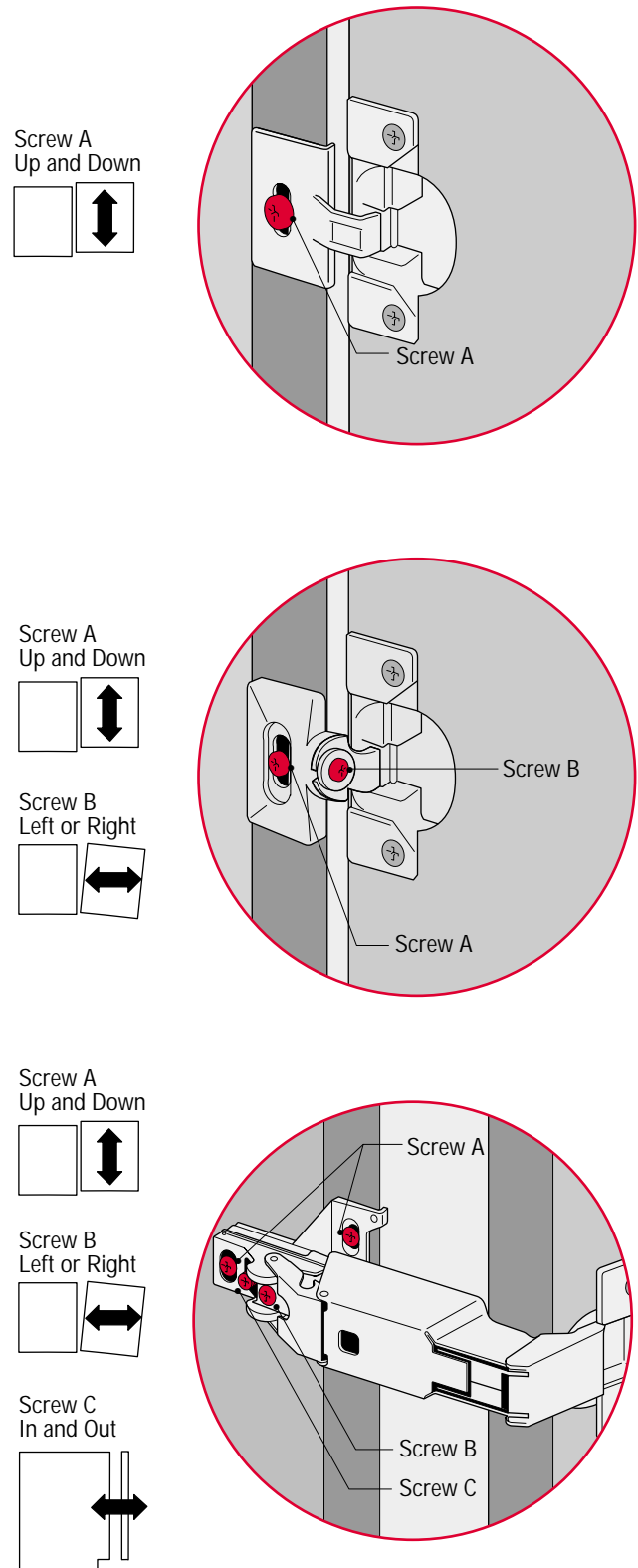
To Adjust Gap Between Door and Face Frame:

Screw C adjusts distance between face frame and hinged side of the door, when the door is closed.

Open door. Loosen Screw C. Slide hinge out or in on hinge plate to increase or decrease the gap.

After adjustment, tighten screw.

Figure 13



Section Four


Installing Special Cabinets

Tall Cabinet Installation

Tall Cabinets include Utility, Pantry and Oven Cabinets. Installation procedures are the same for all cabinets.

- The Oven Cabinet may require cutting the opening of the Face Frame to fit the oven being installed. This is best done before installing the cabinet.
- Determine location of electrical and/or gas feed and make appropriate cutout.
- The 96" High Tall Cabinets require attaching the Toekick Platform before installing the cabinet, in most cases. Where ceiling height is limited, the platform can be positioned and cabinet installed on it.

CAUTION:

 **Do not use nails to install cabinets.** Use the recommended screws. Using nails or drywall screws will void the product warranty and may allow cabinets to fall from the wall.

Remove Doors

Remove doors so they aren't in the way during clamping and attachment. Removal also makes cabinets lighter. Label each door with masking tape so you know where to reinstall.

Measure Fastener Holes

Figure 1

Measure from Cabinet Wall Outline to the center of the wall studs that will secure the cabinet.

Transfer Measurement to Cabinet

Figure 2

When positioning on wall, the cabinet back width will not reach the Cabinet Wall Outline because the back width is offset from (less than) the cabinet Face Frame width.

This offset varies with the cabinet style, so check for the exact measurement.

Cabinet Spacer Tip

To make measuring from Cabinet Wall Outline easier: Make a spacer that matches the offset width. When the spacer is added, the cabinet back width equals the Face Frame width.

Use spacer to transfer these dimensions to Hang Rails on back of the cabinet. Attach cabinet to the wall through the Top and Middle Hang Rails.

Screw locations:

- Measure 1" up from bottom of the Top and Middle Hang Rails at the wall stud locations and mark.

Figure 1

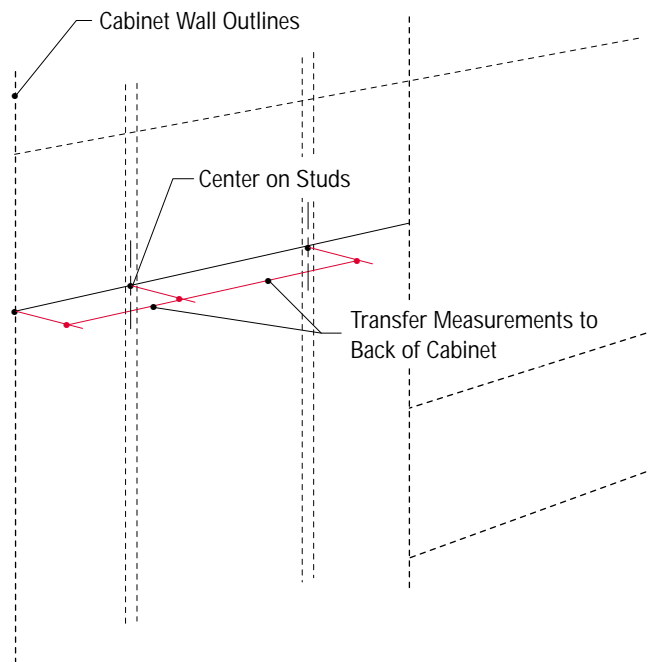
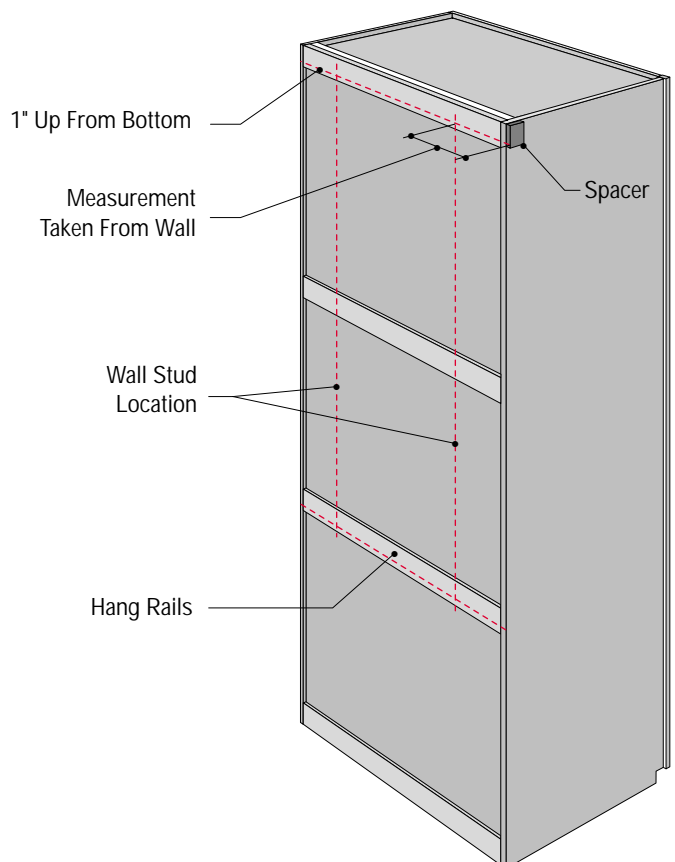


Figure 2



Predrill Fastener Holes

Predrill cabinets before they are moved into place.

NOTE: To avoid “breakout” or splintering of cabinet back, don’t press hard on drill. Use a sharp bit and let the bit do the work gradually.

At wall stud location marks, predrill $\frac{7}{32}$ " holes through Hang Rails on cabinet exterior.

Filler Placement for Tall Cabinets

Determine if Filler is needed:

Figure 3

- When installing a 24" Deep Tall Cabinet next to a 24" Deep Base and 12" Deep Wall Cabinet combination, a Filler or Full Height Panel (not shown) is required to fill the space between the Wall Cabinet Face Frame and the side of the Tall Cabinet to maintain equal spacing.

Figure 4

- When installing a 12" Deep Tall Cabinet next to a 24" Deep Base and 12" Deep Wall Cabinet combination, a Filler or Base End Panel (not shown) is required to fill the space between the Tall Cabinet Face Frame and the side of the Base Cabinet to maintain equal spacing.
- If equal spacing of Wall and Base Cabinets is not required, no Filler or Panel is needed.

If Filler is used, cut Filler equal to height of the Wall or Base Cabinet Face Frame. Filler width should match the space from the cabinet side to the front Face Frame edge.

Before positioning Tall Cabinet, attach Filler to the Face Frame edge of the Wall Cabinet (Figure 3) or Tall Cabinet (Figure 4) using appropriate length screw.

Position, Shim, Level, Clamp and Fasten Adjacent Cabinet

Follow these steps to attach adjacent cabinets:

- “Attachment Tips for Base Cabinets” (page 8, Figure 3).
- “Attach Base Cabinets to Wall” (page 12, Figure 9).

Figure 3

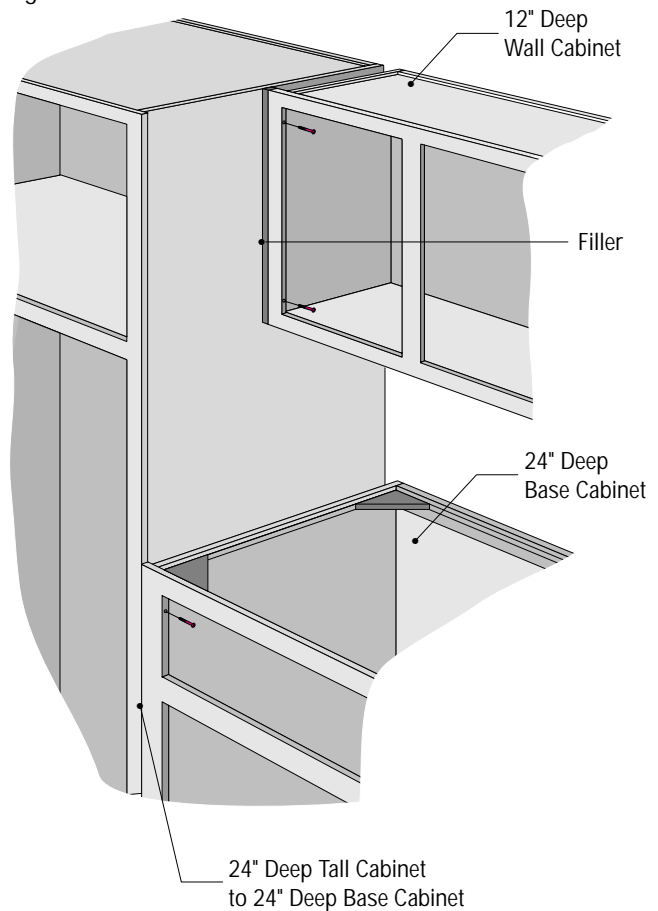
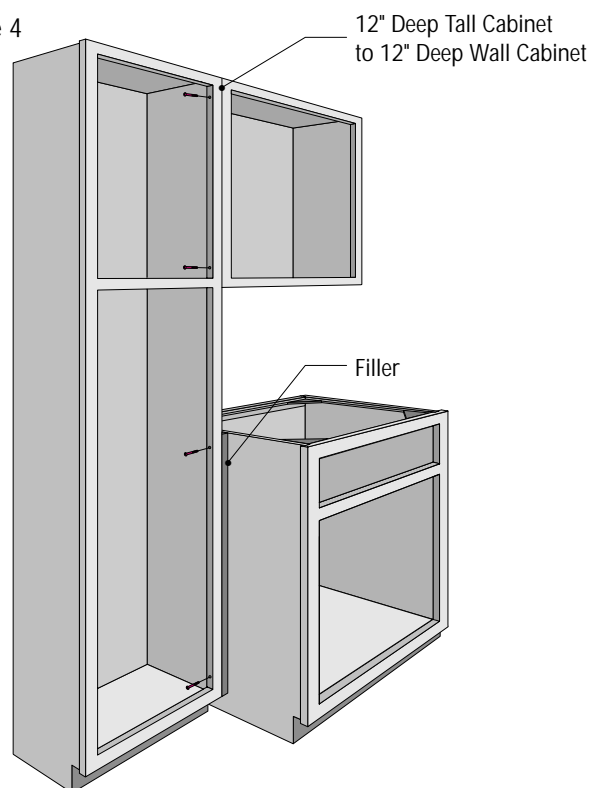


Figure 4



Installing 96" High Tall Cabinet Toekick Platform

Figure 5

If ceiling is high enough so the 96" High Tall Cabinet can be tipped up with the Toekick Platform installed, then you should install the Toekick Platform before attaching the cabinet to the wall.

The Platform is narrower than the cabinet and can be mounted at the center, right, or left. This provides for Toekick space on the sides when the cabinets are end-mounted.

Attaching Toekick Platform to Cabinet

Figure 6

- Lay cabinet on its back.
- Position Toekick Platform to the back of cabinet and to the left, right, or center of the cabinet width.
- Drill pilot holes through Corner Gussets and into the Wood Cleats in the bottom of the cabinet. Fasten to bottom of cabinet with wood screws.
- Set cabinet upright and install following the "Tall Cabinet Installation Instructions" (page 21, Figure 2).

Attaching Toekick Platform to Floor

Figure 7

If ceiling height does not permit installing Toekick Platform to cabinet before installation, then install and level the Toekick Platform first.

- Position Toekick Platform on the floor.
- Shim and level following the same steps as for installing a Base Cabinet. Top of Toekick Platform must match height of bottom edge of Base Cabinet Face Frame.
- Mark wall stud locations on the back of cabinet and predrill following the "Tall Cabinet Installation Instructions" (page 21, Figure 1).
- Carefully slide cabinet onto Toekick Platform. Attach to wall following the "Tall Cabinet Installation Instructions" (page 21, Figure 2).

Oven Cabinet Preparation

Determine oven opening size (rough-in dimensions). Refer to oven manufacturer's specifications or measure your oven. The "Oven Cabinet Cutout Dimensions" sheet, furnished with your cabinet, lists the maximum and minimum opening sizes for each style of cabinet.

Figure 5

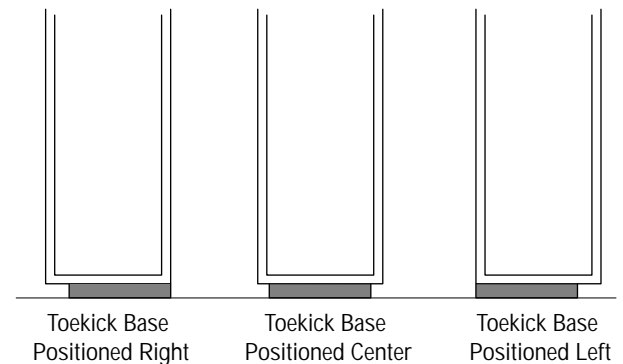


Figure 6

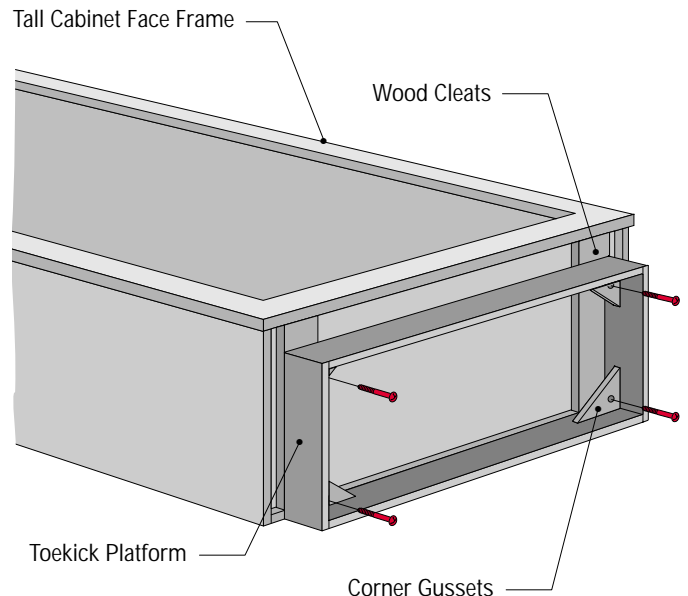
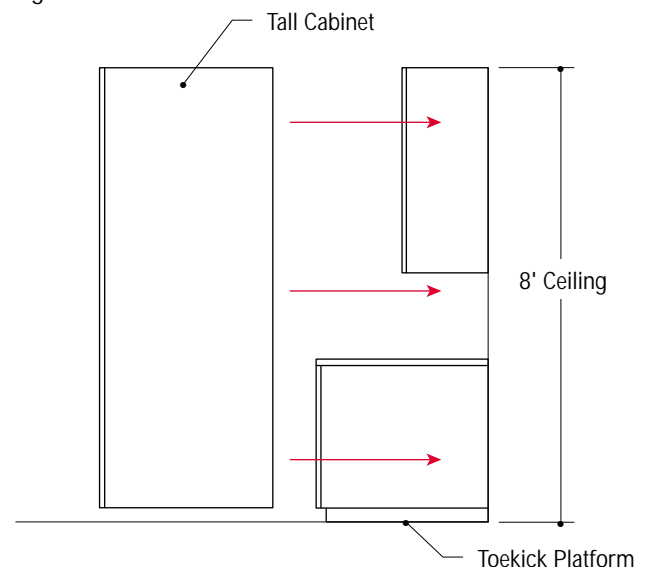


Figure 7



Cutting Oven Opening

Figure 8

There are two different cabinet Face Frame types — one has 1½"-wide removable, trimmable vertical Stiles on both sides of the opening. The other type is used on white cabinetry which has 3" wide non-removable, trimmable vertical Stiles.

- Lay cabinet on its back for ease of cutting the oven opening to size.
- Oven openings are centered in the cabinet. If you want to maintain this center spacing, trim equal amounts from both sides and top and bottom.

Depending on oven size, you may want to cut more off the top or bottom to raise or lower the oven in the cabinet. A minimum frame height of 1½" **must** remain above and below the opening to retain cabinet strength.

NOTE: Do not cut opening larger than maximum opening sizes shown in Chart in "Oven Cabinet Cutout Dimensions" sheet furnished with your cabinet (on cabinets with 1½" wide removable vertical Stiles, this dimension requires trimming the Face Frame Stiles).

- Layout oven dimensions on the face of the cabinet.
- Remove Stiles to trim, if removable. Cut to size on a table saw for the cleanest cut.
- The top and bottom cuts will be a "U" shape. Use a saber saw to cut along the vertical lines and then across the horizontal lines.
- Re-install the Stiles. Screws originally used to attach the Stiles may be too long after trimming. Replace these with appropriate shorter screws.
- Determine location of electrical and/or gas hook-ups for the oven. Before installing the Support Platform and cabinet, cut appropriate openings in the back, bottom, or Support Platform to accommodate the feed lines.
- Lift cabinet upright and install following the "Tall Cabinet Installation Instructions" (page 21, Figure 2).

Install Support Platform

Figure 9

IMPORTANT:

The Oven Support Platform, supplied with the Oven Cabinet, must be used to prevent overloading that may result if the oven weight is supported by the Cabinet Face Frame only.

Measure up from the inside bottom of the cabinet to the bottom edge of the oven opening. Mark the Support Bracket Hole on the cabinet side panel that is nearest to this measurement. At the same level, mark holes on all four sides.

Use two ½" screws (provided) to attach each Support Angle Bracket to marked holes. All brackets must be at the same level.

Place Support Platform on Brackets. If needed, shim under Platform to raise it to level of the oven opening.

Install oven in cabinet according to manufacturer's specifications. Certain oven models require a 24" depth from face of the cabinet frame. These installations require an Oven Trim Kit, otherwise the back of the cabinet must be cut out.

Figure 8

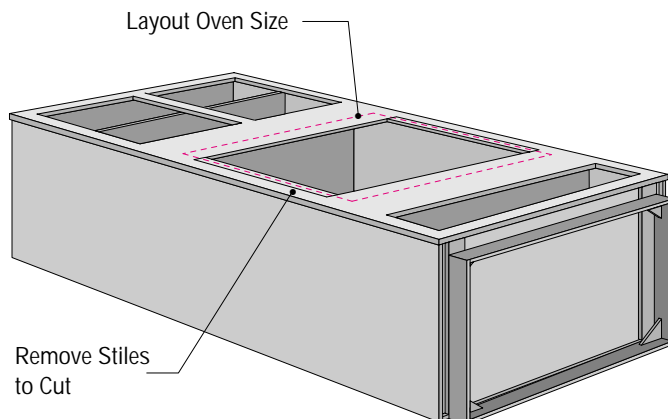
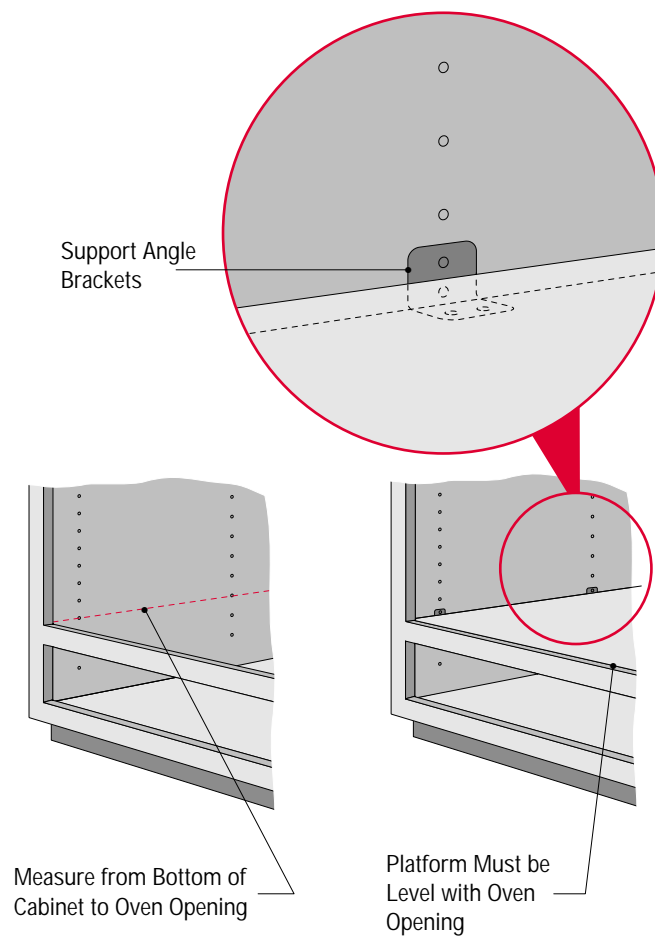


Figure 9



Tall End Filler and 24" Deep Wall Cabinet Installation

Figure 10

The Tall End Filler conceals the side of a refrigerator and supports a 24" Deep Wall Cabinet above. Tall End Fillers are shipped without a Toespace Cutout and must be inverted for left- or right-hand use before marking and cutting the Toespace.

Tall End Filler Preparation

Determine whether application is Left- or Right-Hand. Measure the Toekick height and depth from an adjacent Base Cabinet and transfer these dimensions to the proper end of the Tall End Filler. Follow dimensions to cut out the Toespace.

Tall End Filler Attachment to Adjacent Cabinets

Put Tall End Filler in place.

Align top of the Tall End Filler either to the Top Wall Cabinet Level Line or to the top of an adjacent Wall Cabinet.

If needed, shim the Tall End Filler so Face Frame is plumb and lined up with bottom of the Base Cabinet. Clamp Tall End Filler to the Face Frame of the adjacent Base Cabinet. Follow the "Attachment Tips for Base Cabinets" on page 8 for drilling and attaching Face Frames.

See "Filler Placement for Tall Cabinets" (page 22, Figure 3) to determine if a Filler or Tall End Panel is needed between Tall End Filler and Wall Cabinet.

Use angle brackets or a backer board to attach back edge of Tall End Filler to the wall and floor.

24" Deep Wall Cabinet Installation

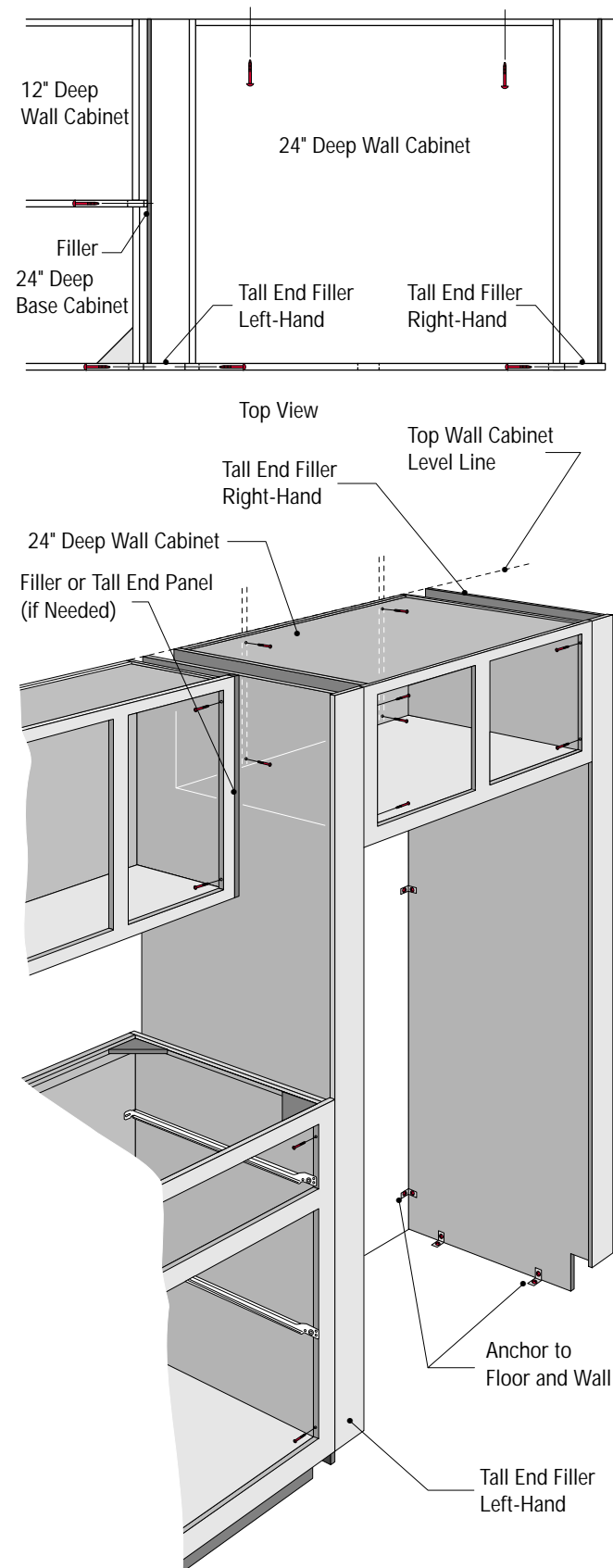
After one Tall End Filler is installed, attach the 24" Deep Wall Cabinet following the "Attachment Tips for Wall Cabinets" on page 14.

NOTE: 24" Deep Wall Cabinets must be supported through the Face Frames on both sides. Support must be into wall studs, Tall End Fillers or Tall Cabinets or into soffit joists (Figure 10, Top View).

Tall End Filler Attachment to Wall

When the Tall End Filler is used at the end of a run, attach it to Face Frame of the 24" Deep Wall Cabinet. Also attach Filler to the wall and floor with angle brackets or backer boards.

Figure 10



Peninsula and Island Cabinet Installation

When installing Peninsula or Island Double Faced Cabinets, it is easiest to install the wall (upper) cabinets first. Peninsula wall cabinets require a Double Faced Blind Corner or Double Faced 45° Corner as a starter at the end adjacent to the wall cabinets. Island Double Faced Cabinets will follow the same installation steps as the Peninsula Double Faced Cabinets.

Double Faced Blind Corner Wall Cabinet Installation

Figure 11

Double Faced Blind Corner Wall Cabinets can be inverted for left or right blind corner installation. Cathedral and arch door cabinets cannot be inverted and must be ordered for blind left or right installation.

The Blind Double Faced Cabinets install using the same procedures as the Wall Blind Corner Cabinets. Because the wall cabinets are usually installed before the peninsula cabinets, the order of installation is different. See “Wall Blind Corner Cabinets” on pages 17 through 20 for installation procedures but follow the order listed:

- Attach Filler and Blind Panel to Face Frame of adjacent wall cabinet.
- Determine pull-out position of cabinet from the wall. Blind Double Faced Corner Cabinets can be pulled out a maximum of 3" from the wall.
- Cut End-of-Run Filler to match space needed. Install Backer Board if Filler is wider than 3".
- Put cabinet in place and attach to ceiling or soffit following the “Double Faced Cabinet Ceiling Attachment.”

Double Faced Cabinet Ceiling Attachment

Figure 12

IMPORTANT:

Install cabinets using Wall Double Face Cabinet 3½" mounting screws. Holes drilled in Face Frames must be no more than 2" from vertical sides of cabinet.

⚠ Warning: Make sure that Wall Double Face Cabinet Mounting Screws enter 1½" of solid ceiling or soffit framing material.

- Determine cabinet position on soffit or ceiling.
- If needed, tack shims in place so soffit or ceiling provides level attachment area.
- Locate soffit framing or ceiling joist.
- Transfer position of soffit framing or ceiling joist to the top of cabinet Face Frames.
- Drill 7/32" clearance holes through top of cabinet Face Frames at these locations. Use four (4) screws on cabinets up to 24" wide. Use six (6) screws on cabinets 27" or wider.
- Use 2½" screws to join adjacent cabinets. See “Drill and Fasten Face Frames” on Page 14.

Figure 11

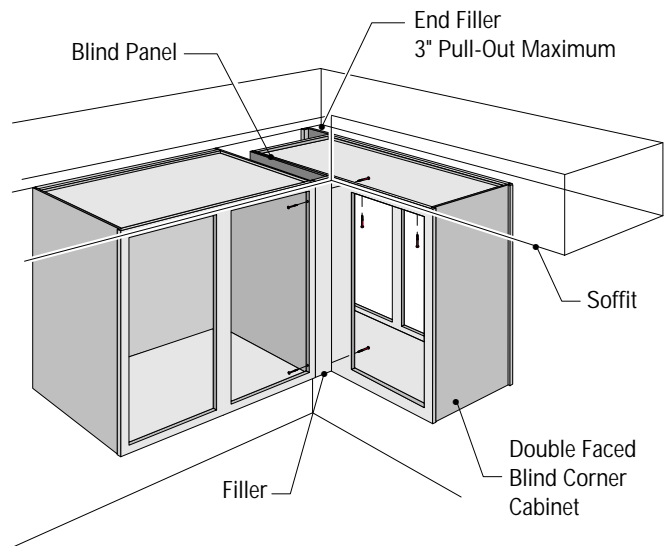
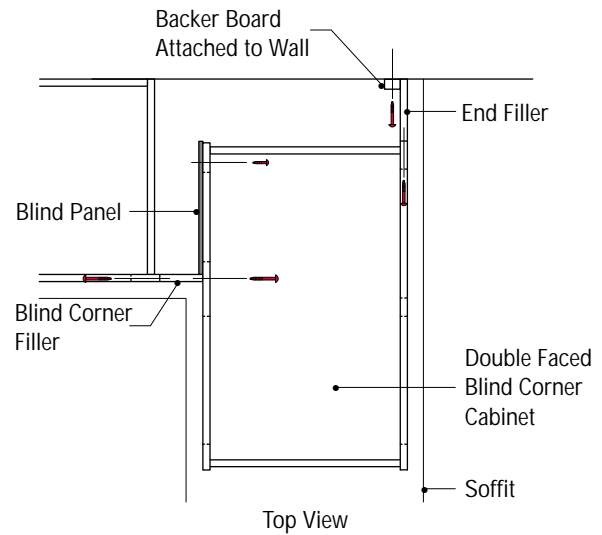
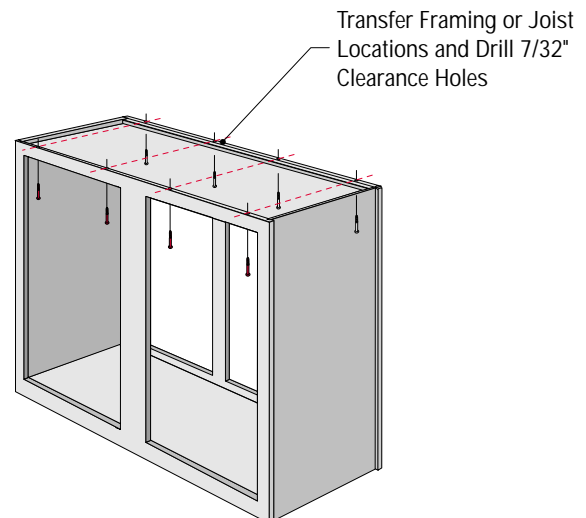


Figure 12



Double Faced 45° Corner Wall Cabinet Installation

Figure 13 and 14

Double Faced 45° Corner Wall Cabinets can be inverted for left or right corner installation. Cathedral and arch door cabinets cannot be inverted and must be ordered for left or right corner installation.

The Double Faced 45° Corner Wall Cabinets are installed using the same procedures as the Wall 45° Corner Cabinets. Because the wall cabinets are usually installed before the peninsula cabinets, the order of installation is different. See “Wall 45° Corner Cabinets” on pages 15 and 16 for installation procedures *but* follow the order listed:

- Mark the back of the cabinet for wall stud locations and the Face Frame tops for ceiling joist locations. Pre-drill $\frac{7}{32}$ " clearance holes in all locations.
- Attach cabinet to wall, then to ceiling.
- Use $2\frac{1}{2}$ " screws to join adjacent cabinets. See “Drill and Fasten Face Frames” on page 14.

Install Remaining Cabinets

After corner cabinet(s) are fastened, continue installation with remaining adjacent cabinets following the Double Faced Cabinet Ceiling Attachment instructions.

Figure 13

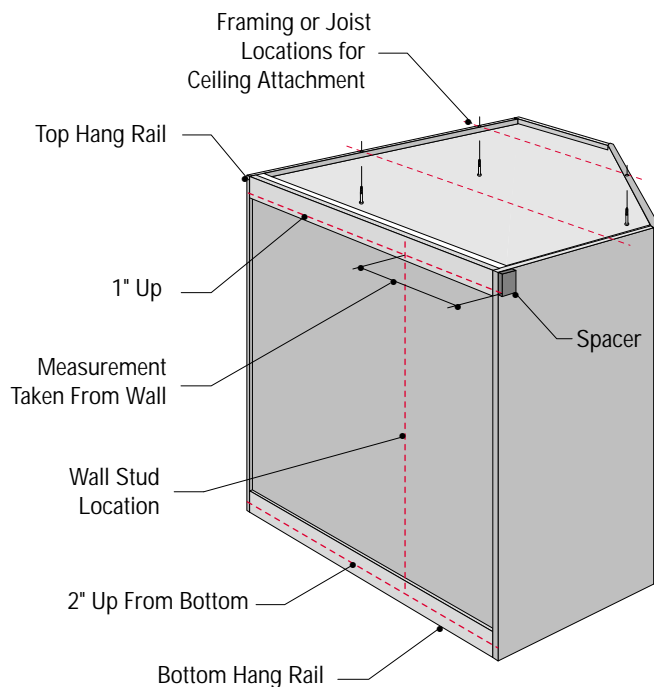
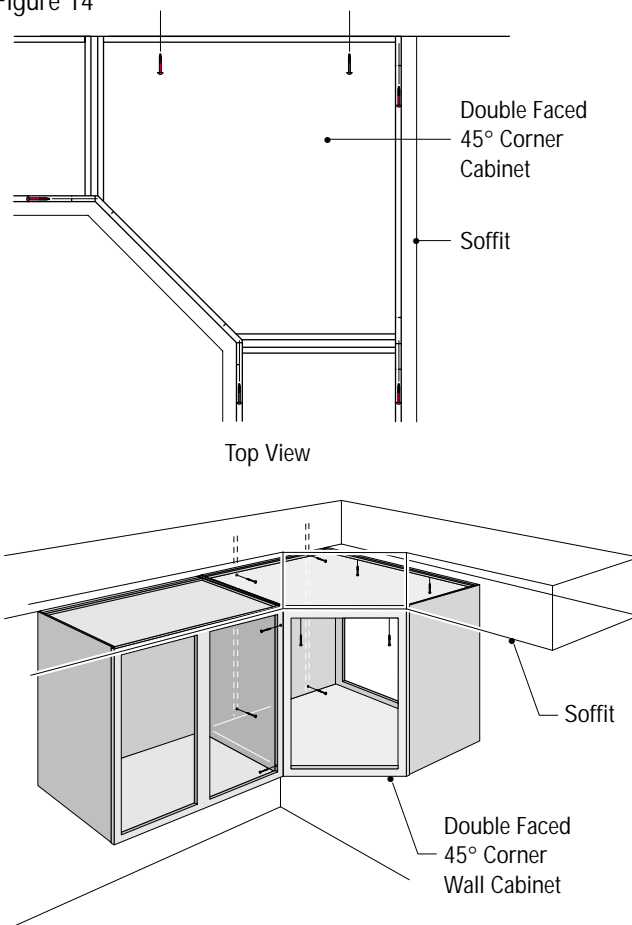


Figure 14



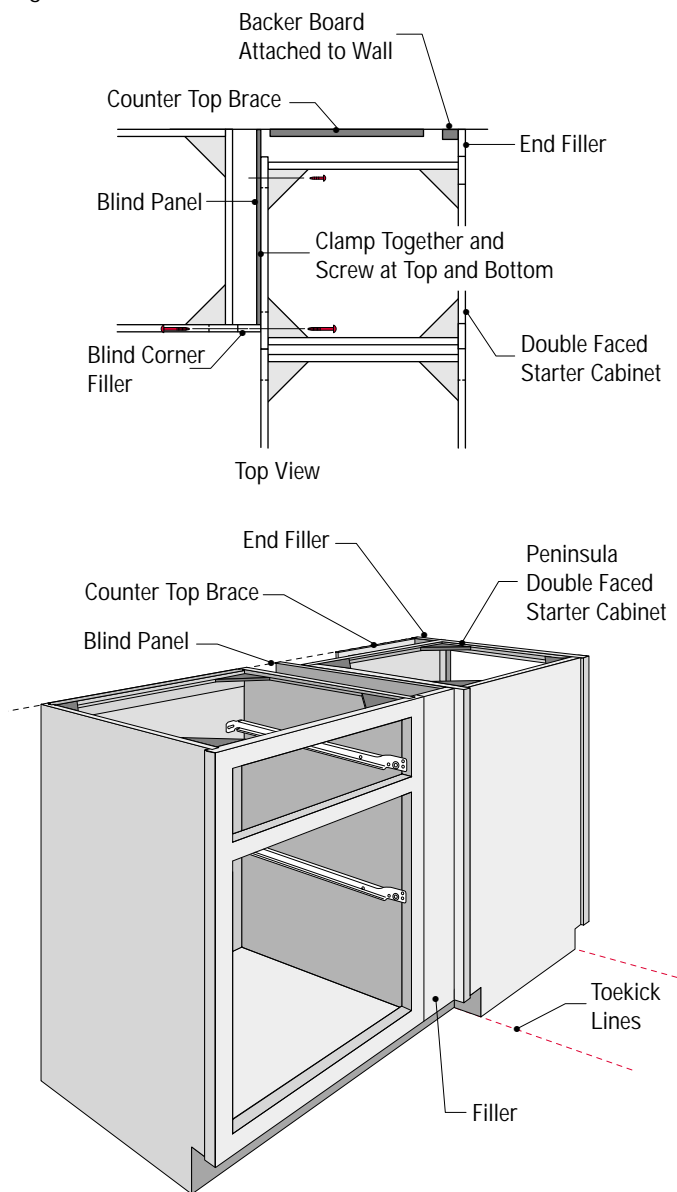
Peninsula Base Double Faced Starter Cabinet

Figure 15

To make the turn to the peninsula, the Base Peninsula Cabinets require a Base Starter Cabinet adjacent to the Base Cabinet. The Base Double Faced Starter Cabinet installs the same as a Base Blind Corner Cabinet. See “Blind Corner Cabinets” on page 9 for installation procedures *but* follow the order of installation listed below:

- Attach Filler and Blind Panel to Face Frame of adjacent base cabinet.
- Determine pull-out position of cabinet from the wall. Base Starter Cabinets can be pulled out a maximum of 3" from the wall.
- Cut End-of-Run Filler to match the space needed. Install Backer Board if Filler is wider than 3". Install Counter Top Brace into wall studs.

Figure 15



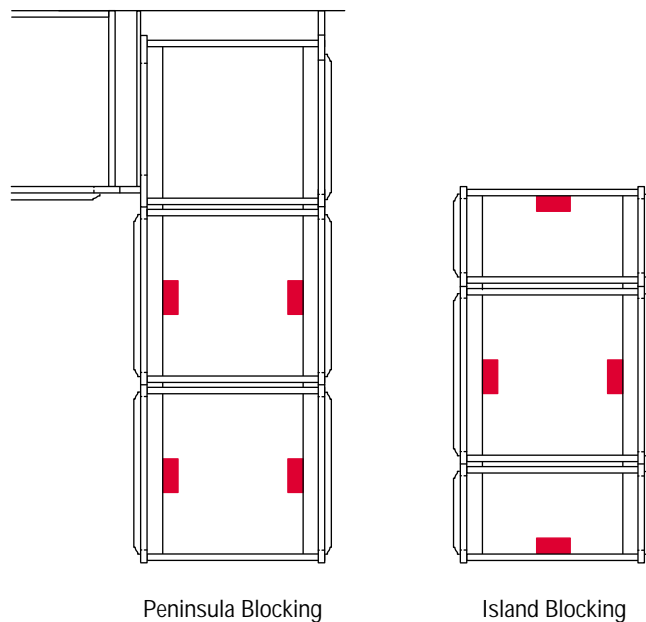
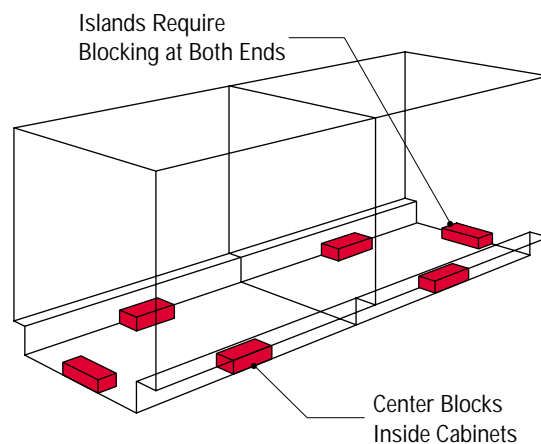
Fastening Peninsula and Island Cabinets to Floor

Peninsula Cabinets are secured to the floor with wood blocks positioned front and back behind the Toekicks. Island Cabinets require additional blocks at each end.

Figure 16

- To prepare blocking, square Peninsula Cabinet with the Wall Base Cabinets and mark the floor at the Toekick locations, front and back.
- Cut 2 x 4 wood blocks 8-12" long to fit the underside. Measure the thickness of the Toekick and position blocks inside of the Toekick line so cabinets can be positioned over them. Fasten blocks to floor.
- Attach cabinets together following the "Attachment Tips for Base Cabinets" on page 8, then use finish nails to secure cabinets to the blocks on the floor.

Figure 16




Peninsula Blocking

Island Blocking

Section Five

Care and Maintenance

Self-Cleaning Ovens

 **Warning:** Self-cleaning appliances are cleaned by intense heat during the cleaning cycle. If the heat gasket does not seal properly, intense heat may escape from the appliance.

Cabinet components installed near the appliance may suffer finish or surface damage.

To minimize risk of damage during cleaning cycles, we recommend that you open doors and drawers in cabinets that are above and adjacent to a self-cleaning appliance.

Heat-Producing Appliances

We recommend that you do **not** mount heat-producing appliances (such as coffee makers and toaster ovens) beneath cabinets. These appliances can damage cabinets due to excess heat and moisture.

Care and Cleaning

Wood

The fine “furniture” finish of your cabinets is designed for daily usage. All wood and laminate surfaces may be cleaned with a damp, soft cloth moistened with pure soap suds (not detergent), then wiped dry with another soft cloth.

With all cabinets, take a little extra care on bottom edges of base cabinets and base cabinet doors where invisible moisture often collects.

NOTE: Do not use detergents, soap pads, steel wool, or other harsh, abrasive material on your cabinetry.

Polishing Wood

Remove dust from cabinets frequently with a soft lint-free cloth. The cloth may be slightly dampened with water or a spray type dust remover.

Clean spills immediately. Use a clean cloth and mild soap if necessary. Wipe dry with a clean soft cloth.

We recommend that you wash and polish cabinets once or twice a year. Use a light coat of quality furniture polish. Don't use a paste wax; the wax build up is difficult to remove and will leave a residue that attracts dust and moisture.

Polishes that contain silicone should **not** be used.

Laminate (Melamine and Vinyl)

Periodically clean the interior and exterior surfaces of the door using a soft, dampened cloth. Tough stains may be cleaned using a soft cloth dampened with a “409” or “Simple Green” type cleanser.

Mullion Glass Doors

Glass may be cleaned with any commercial glass cleaner.

Do not spray glass cleaner directly onto glass or cabinet parts. Glass cleaner seeping into areas behind the mullions may discolor the wood. Spray a small amount onto a lint-free cloth or paper towel, then wipe the glass.

The door glass is tempered and resists chipping and shattering. However, all glass is fragile. Be careful when removing the glass for cleaning.

- Carefully loosen the screws and remove the glass panel.

Glass may be cleaned while mounted on the door; however, be careful not to damage the finish of the door and cabinet parts while cleaning.

Door Hardware

Figure 1

NOTE: Don't allow screw heads from door hardware to scratch face frames.

To avoid this problem, position Door Hardware Screws toward cabinet interior, away from face frame.

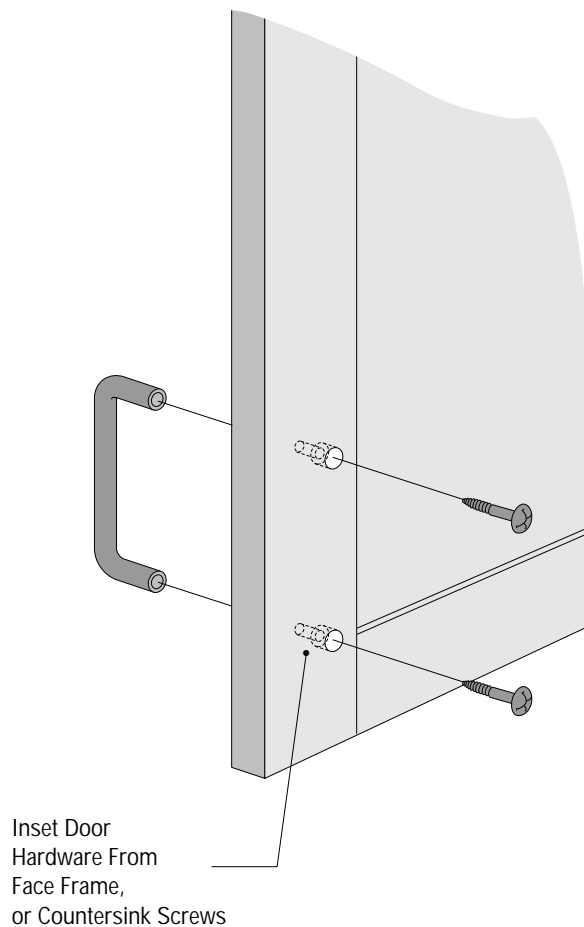
Otherwise, Countersink Screw Heads so they can't strike face frame.

Loads and Weight Limits

CAUTION: Properly installed cabinets can safely support an evenly distributed load of 15 pounds per square foot of shelf, tray and drawer space. Up to a maximum of 50 pounds.

Be sure that you load all cabinet bottoms, shelves and trays evenly.

Figure 1



Thank You...

Congratulations

Thank you for choosing and installing America's finest cabinet value. For over 50 years Merillat Industries has built quality cabinets, which have been selected by millions of American homeowners just like you. All Merillat cabinets are certified by the Kitchen Cabinet Manufacturers Association (KCMA) to meet or exceed industry standards for quality, durability and serviceability.

You can take pride in knowing you have Merillat product in your home. They will add style, function and value to your home for many years to come.